



Manufactured by:



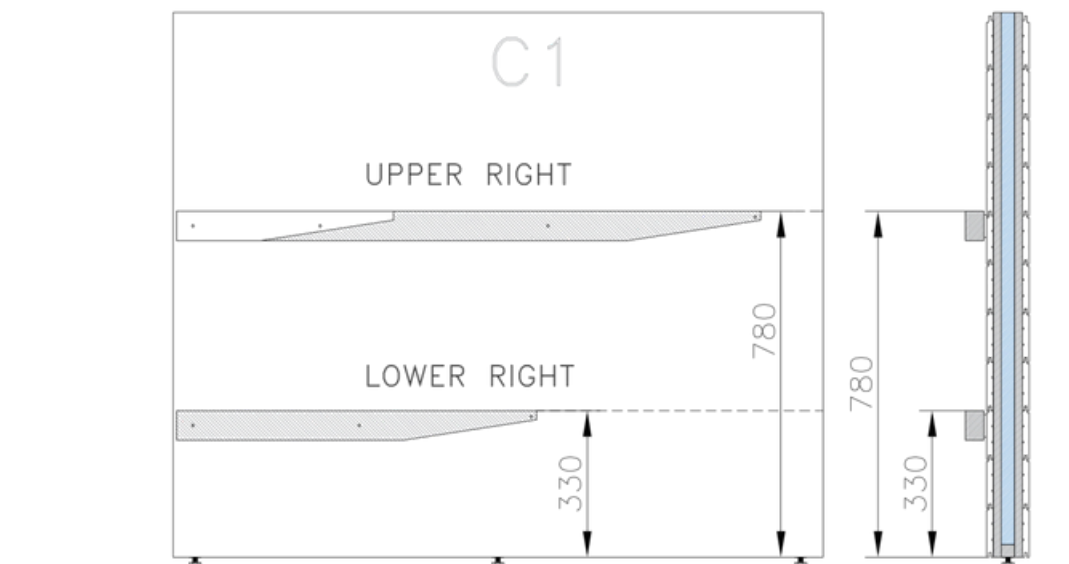
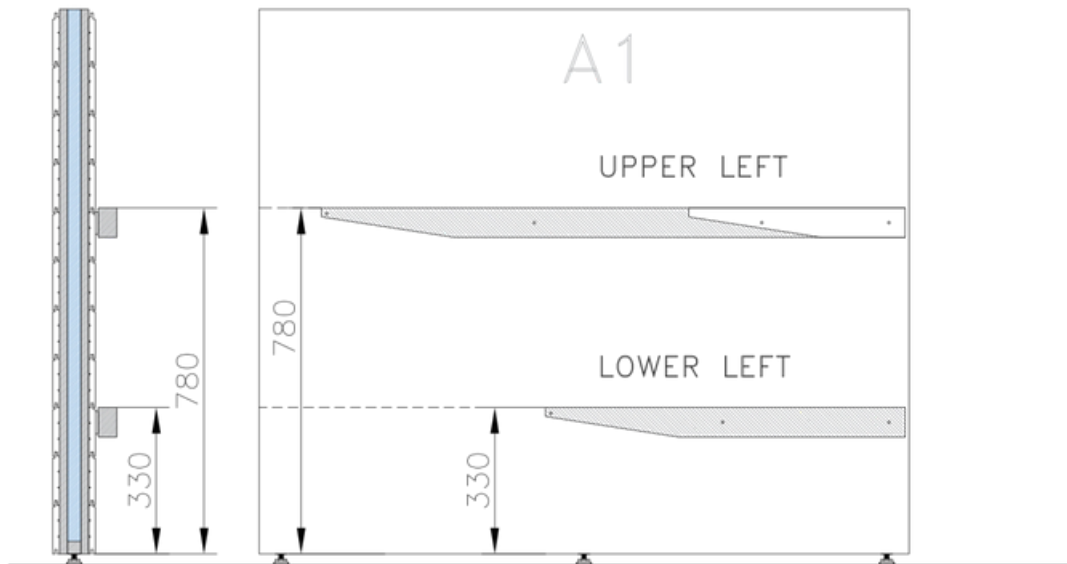
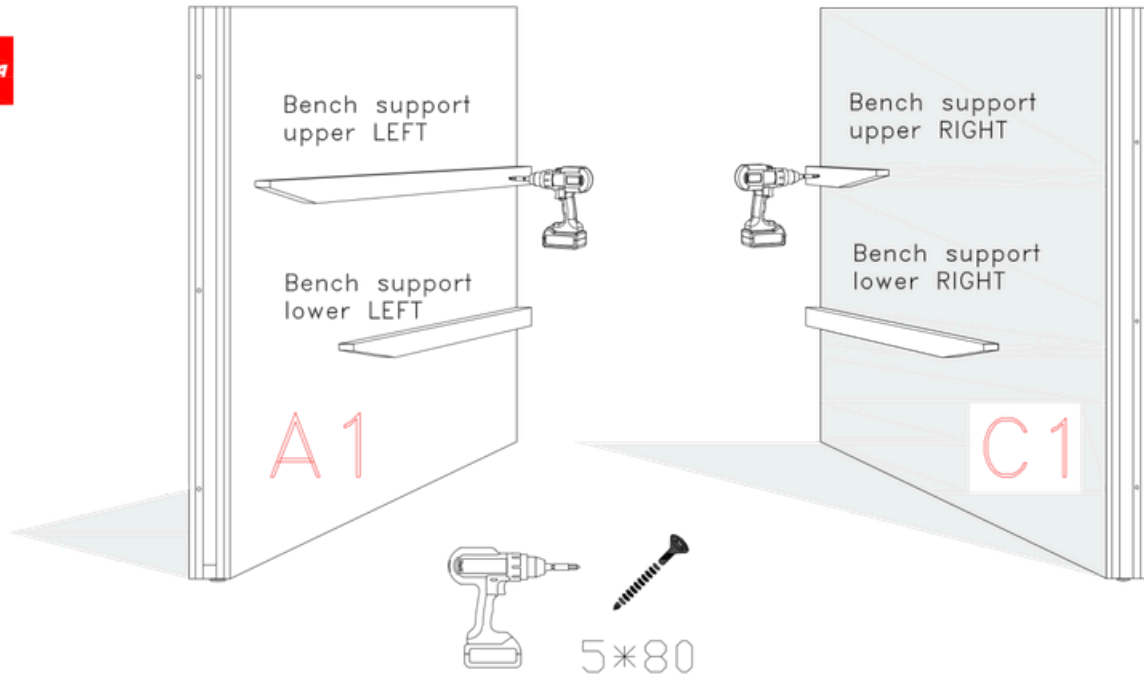
BLOCK

INSTALLATION INSTRUCTIONS



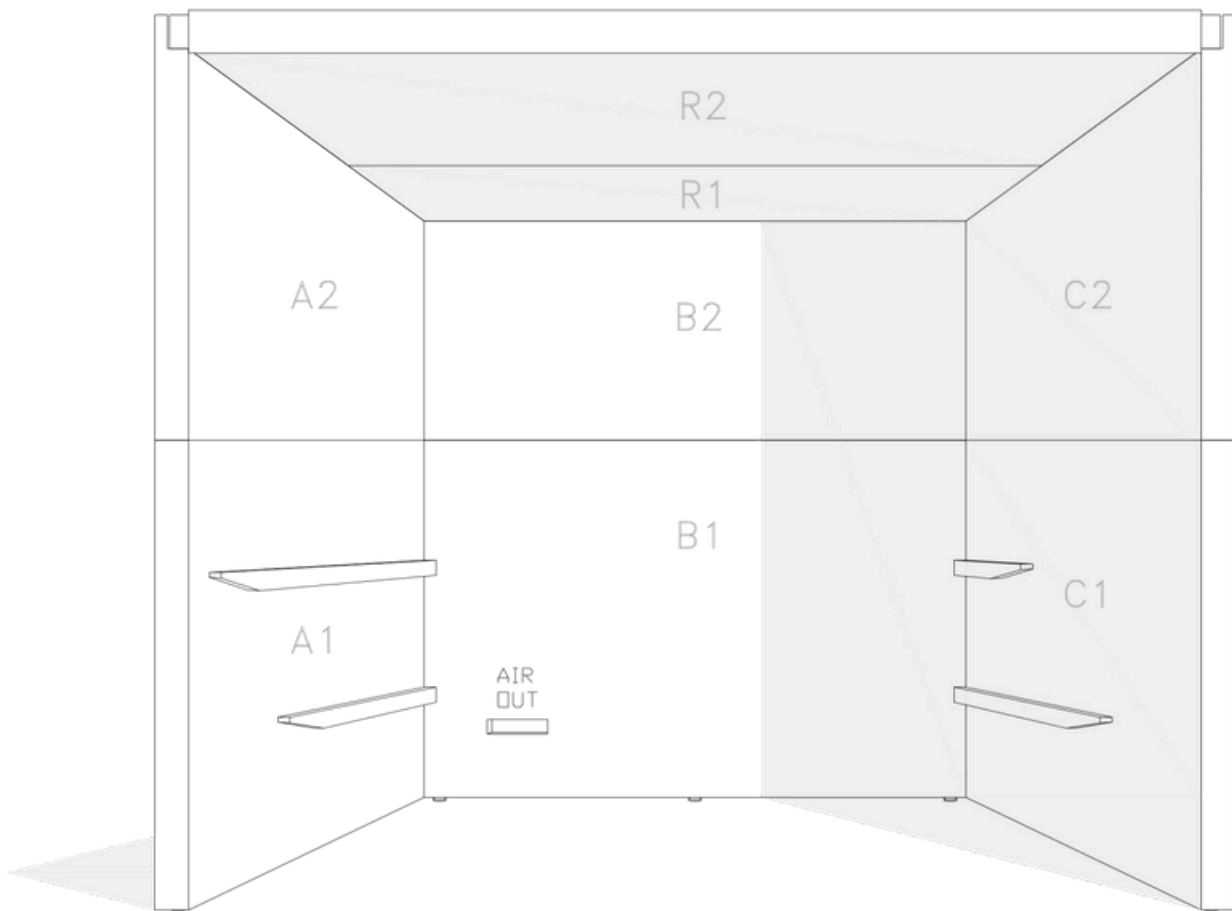
Table of contents BLOCK-sauna cabin		
Sauna cabin		
Wall-elements	Info	Quantity
A1		1 pc
A2		1 pc
B1		1 pc
B2		1 pc
C1		1 pc
C2		1 pc
Back steel profile		
Back profile L (LEFT)	ZVEL-720	1 pc
Back profile R (RIGHT)	ZVEL-721	1 pc
Roof element(s)		
R1		1 pc
R2	if depth bigger than 1200mm	1 pc
Front steel profile		
Front profile L (LEFT)	ZVEL-730	1 pc
Front profile R (RIGHT)	ZVEL-731	1 pc
Back corner covers		
Left back corner cover		1 pc
Right back corner cover		1 pc
Benches		
Lower bench 1		1 pc
Lower bench 2	layout dependent	1 pc
Upper bench 1		1 pc
Upper bench 2	layout dependent	1 pc
Upper bench 3	layout dependent	1 pc
Bench support(s)		
Decorative bench support(s)	layout dependent	
Standard bench support(s)	layout dependent	
Back rest(s)		
Back rest 1		1 pc
Back rest 2	layout dependent	1 pc
Back rest 3	layout dependent	1 pc
Glass front		
G1	Next to door with hinges	1 pc
G2	Next to door	1 pc
G3	Side wall glass, if ordered	1 pc
G4	Side wall glass, if ordered	1 pc
D	Door glass	1 pc
UG	Upper glass above the door	1 pc
Sealant for glass corner	Only with glass corner	1 pc
Hinges	1-053-440 black	2 pcs
Door handle	Nuppi4, black	1 pc
Magnet holder	ZVEL-500	1 pc
Counter part for magnet	ZVEL-501	1 pc
Magnet	SAZ048KPL	1 pc
Glass support leg	SAZ064M	2-6 pcs
LIGHTNING		
Sauna lamp white	SAS21060T	1 pc
Ventilation		
Ventilation tunnel, steel	ZVEL-740	1 pc
AIR Ventilation slider, black	4021101	1 pc
OPTIONS		
RGBW-LED tubes	if ordered	
Power 90W / 160W (24V)	LED-PWS-24-90	
Power 160W (24V)	LED-PWS-24-160	
RGBW LED funk driver CV 24V	LC-CV-VP	
RGBW LED remote unit 1 zone	LR-1Z	

Installing bench supports

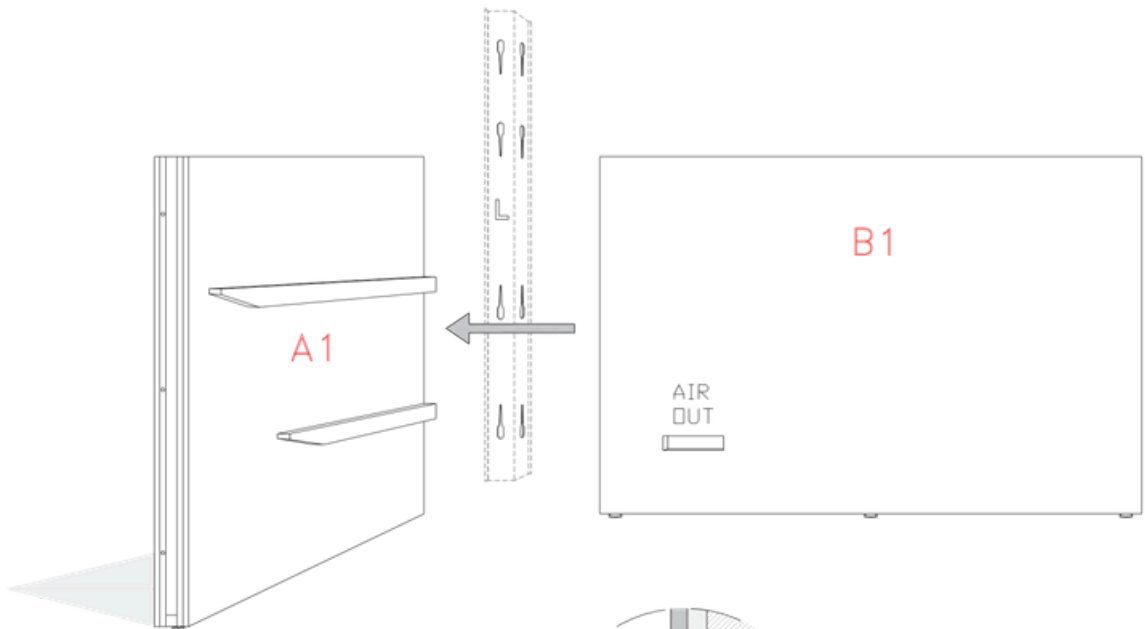




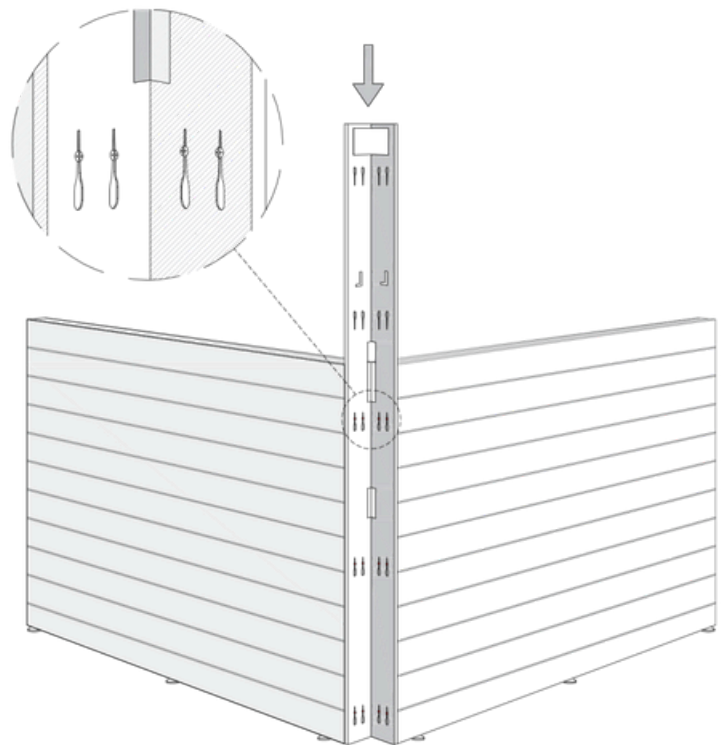
BLOCK-sauna (Dual Air Flow System)
Installation order of wall- and
ceiling elements



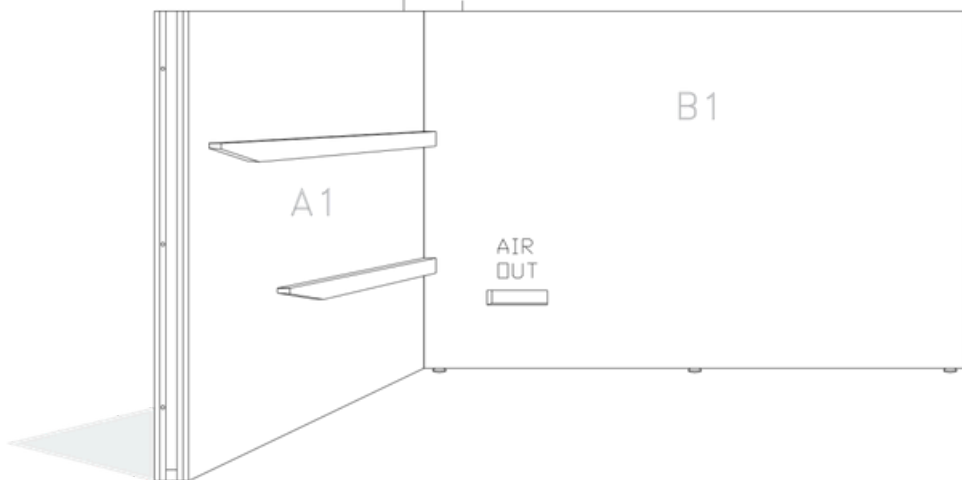
1



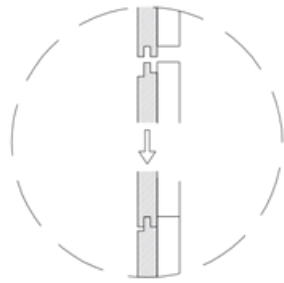
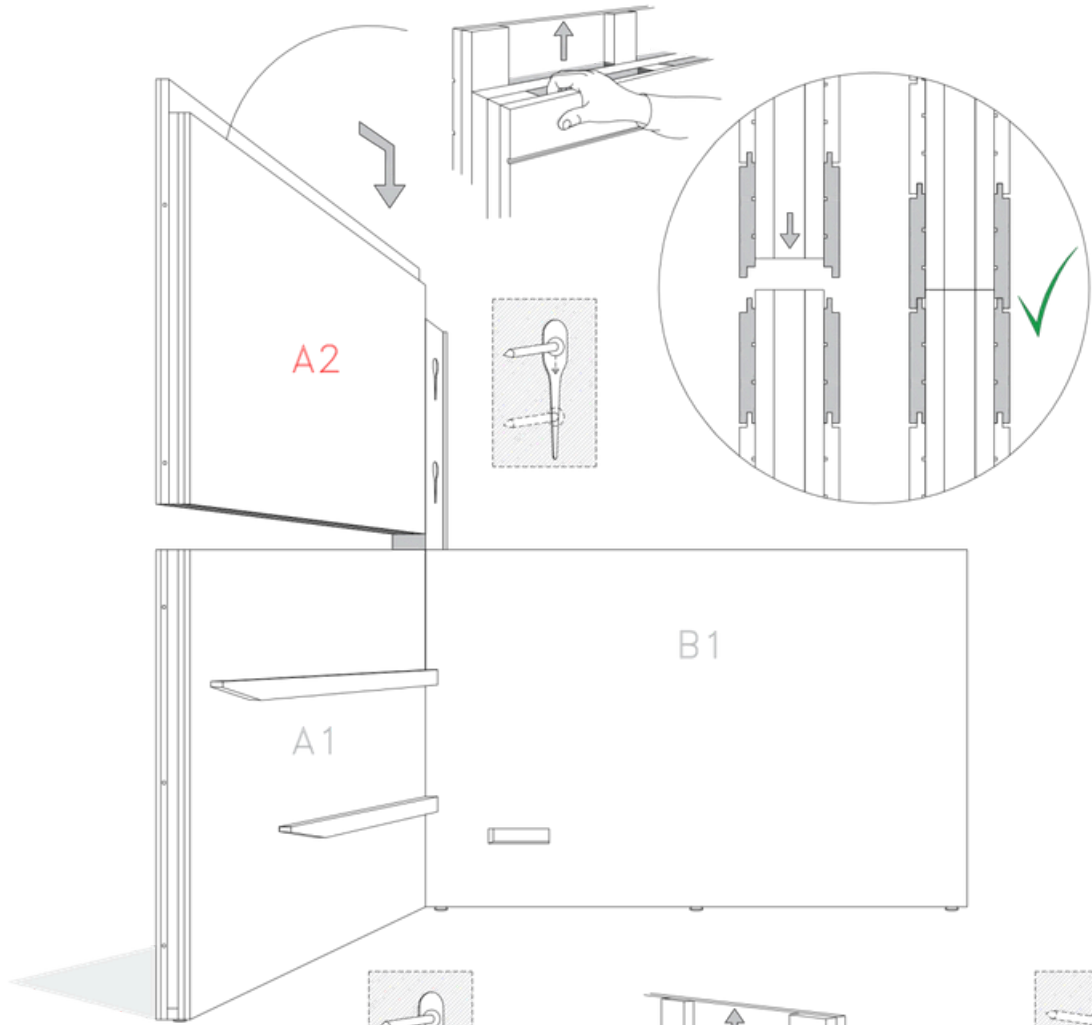
L = LEFT



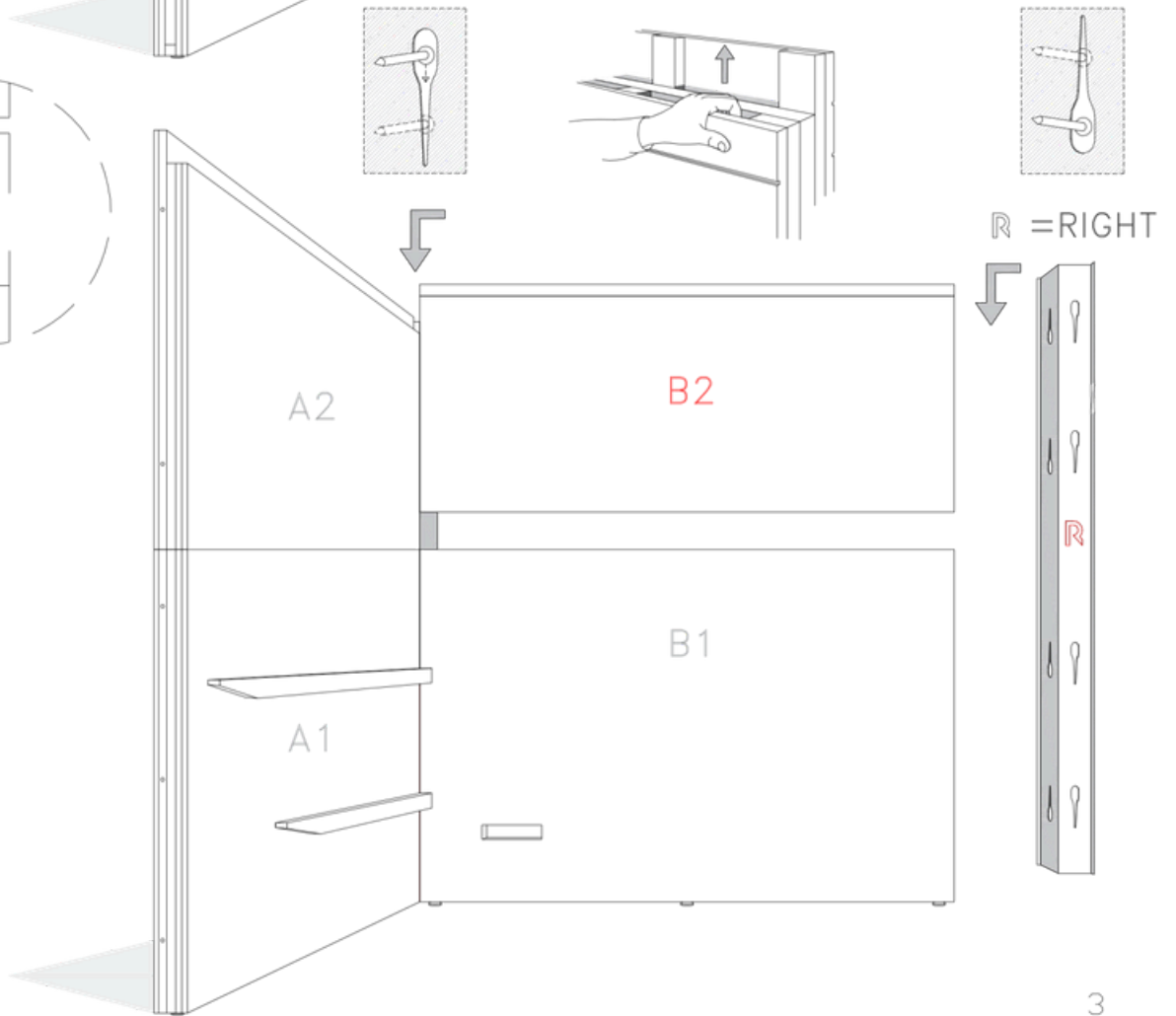
2



3

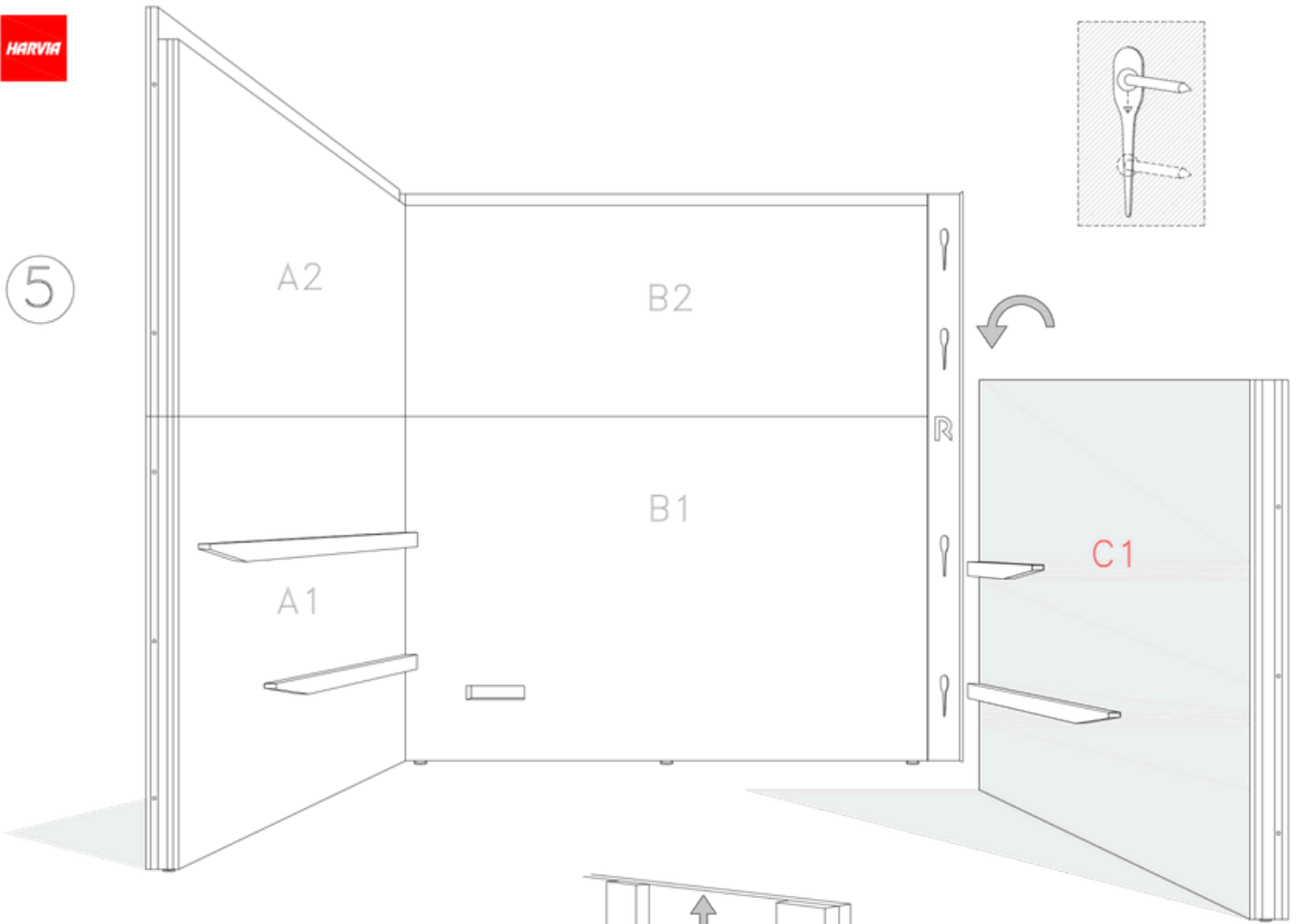


4

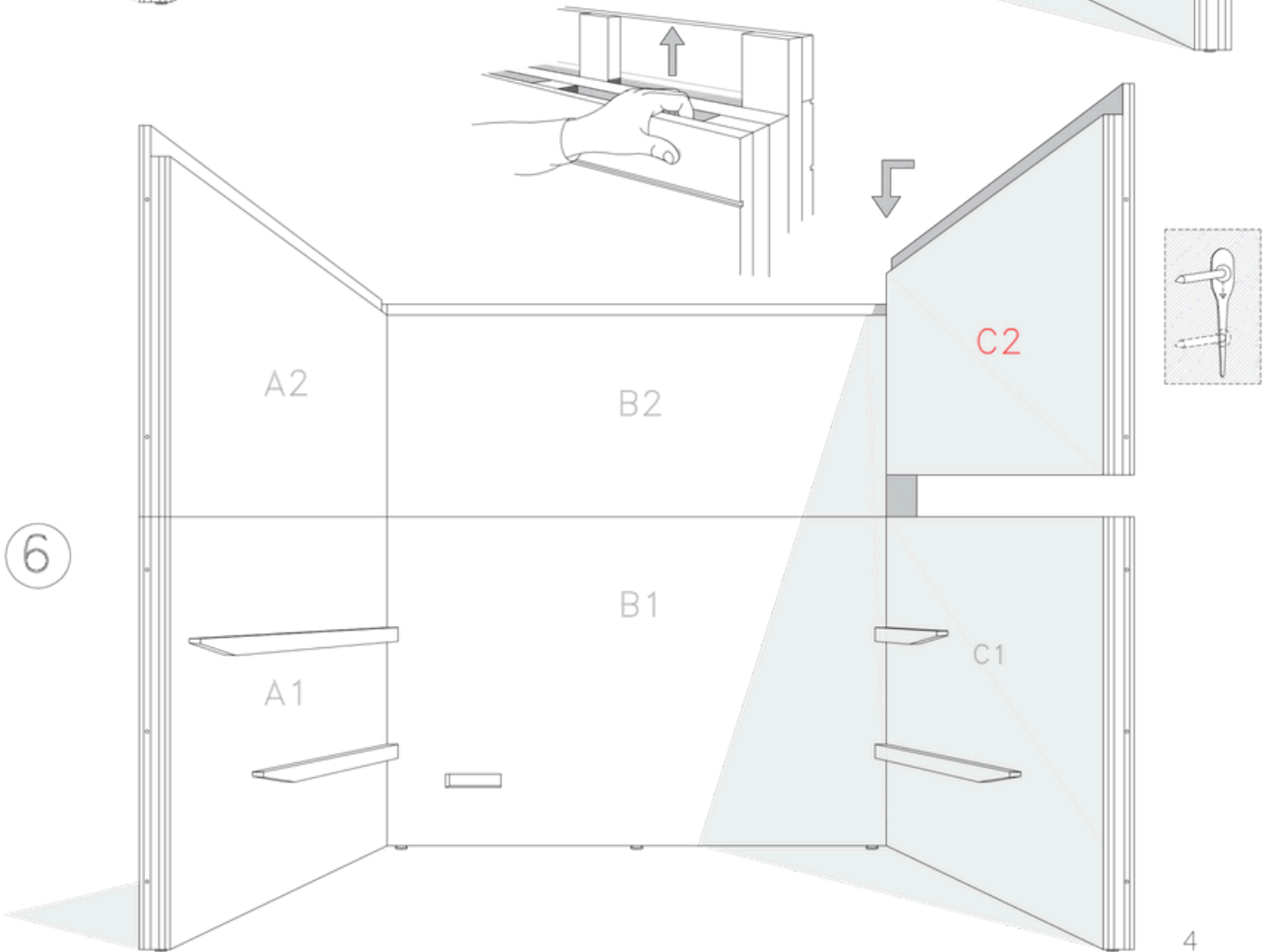




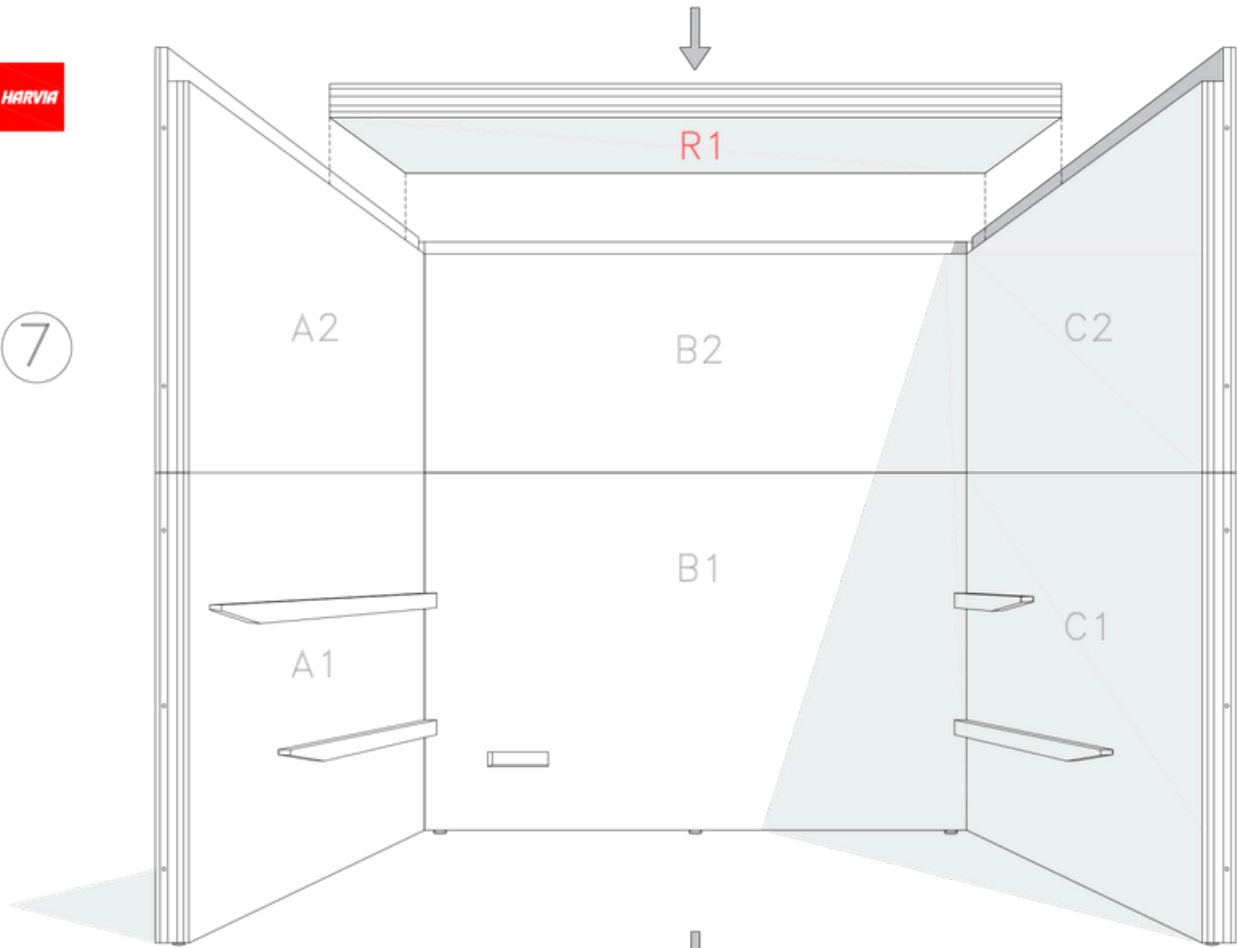
5



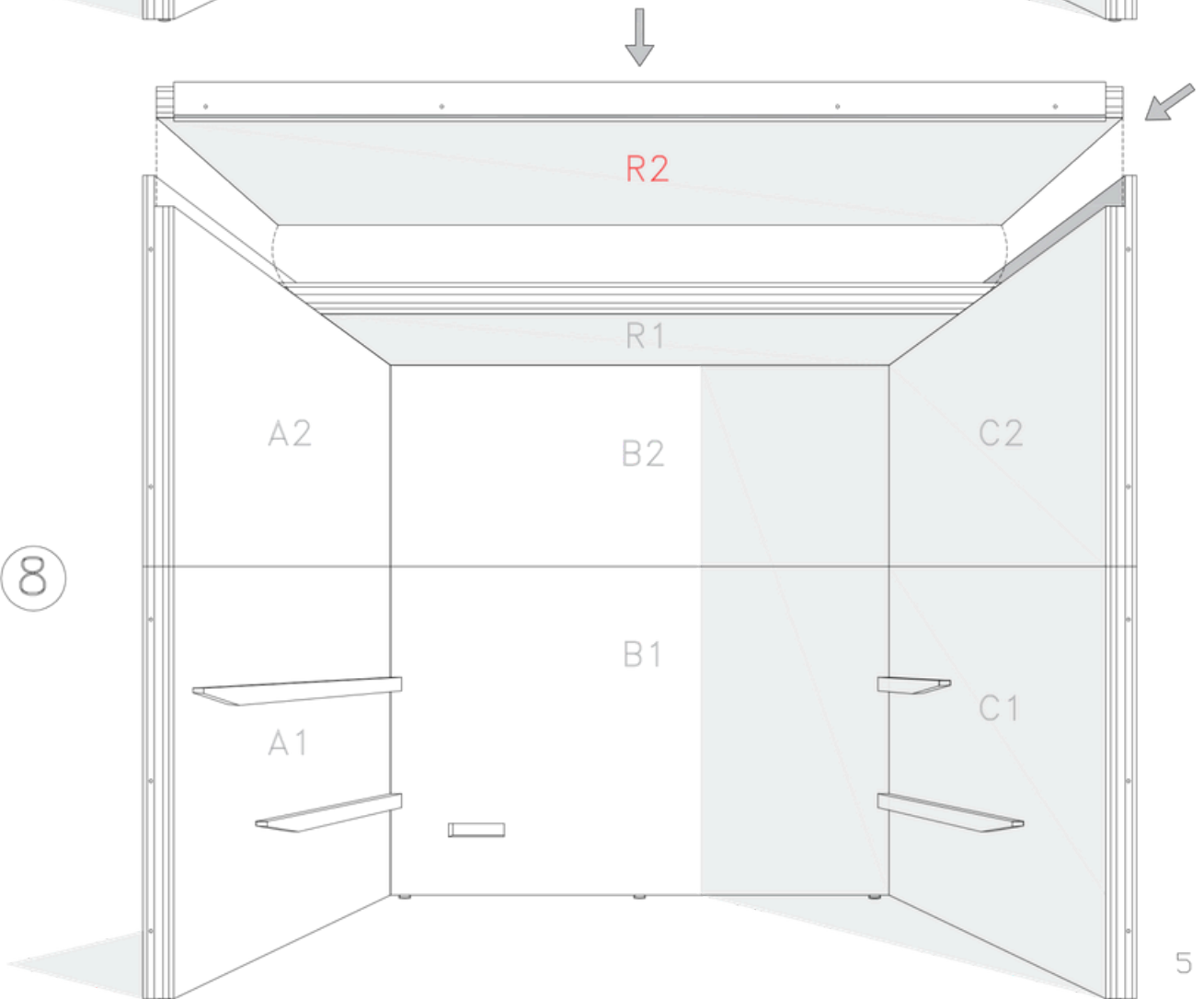
6

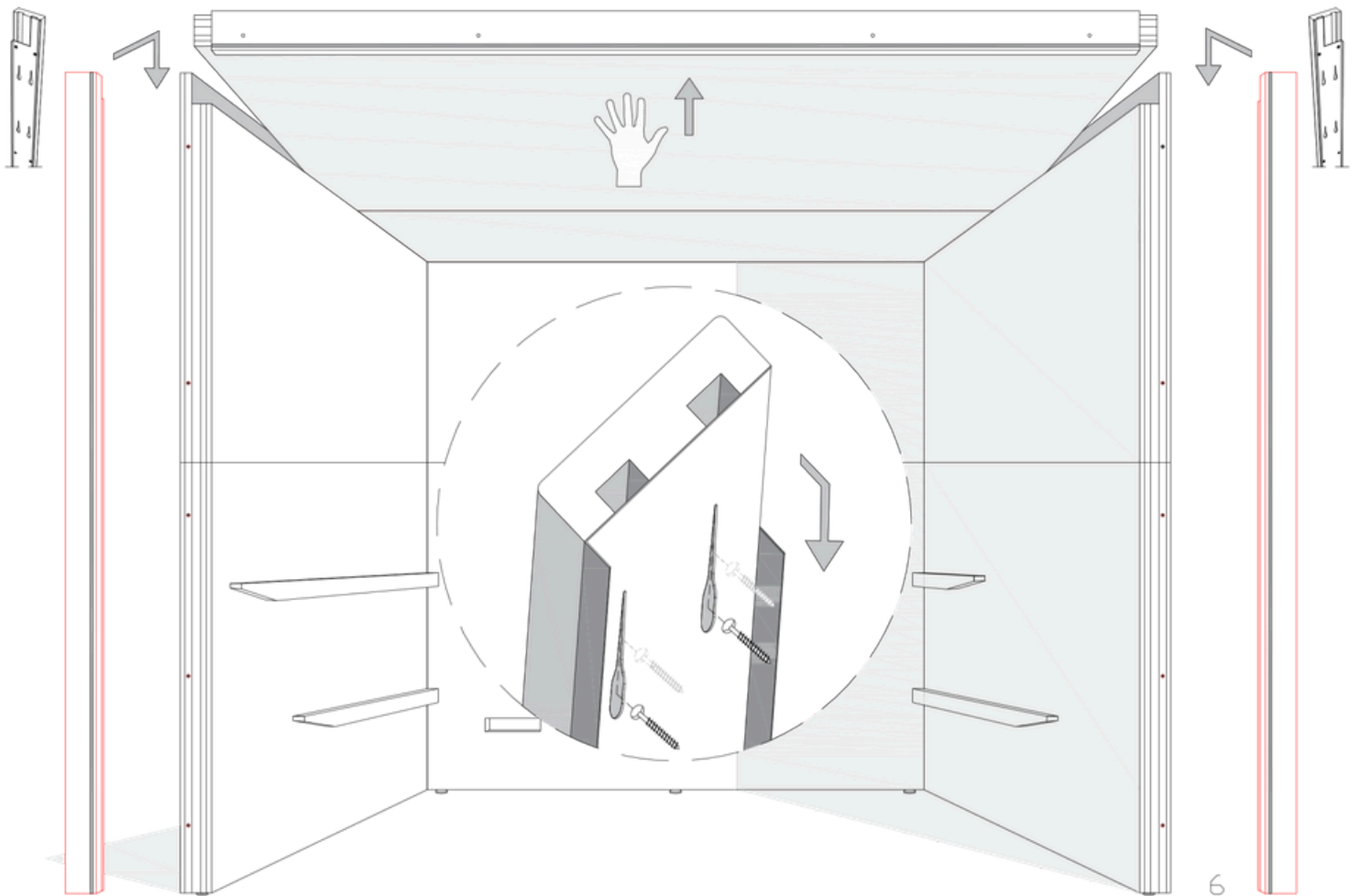
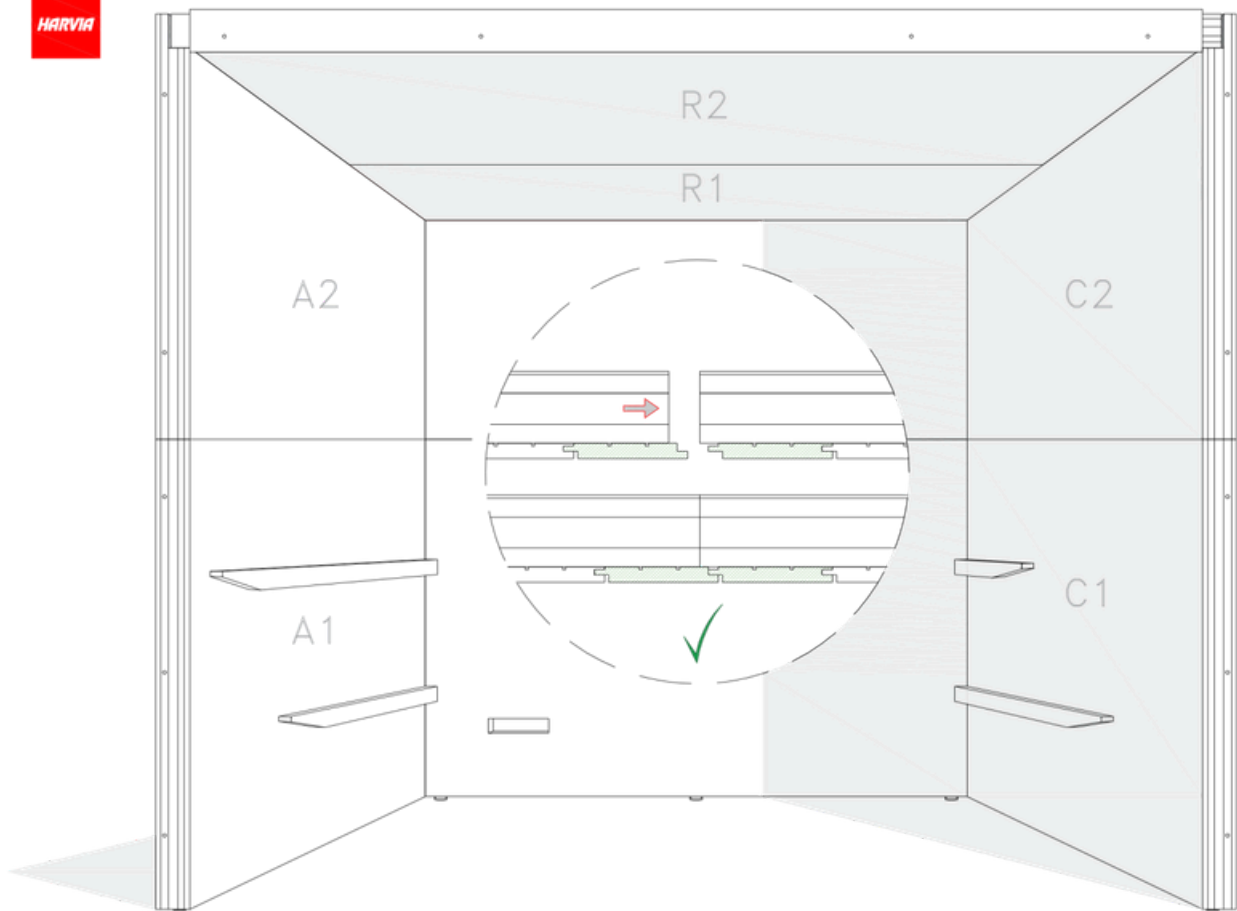


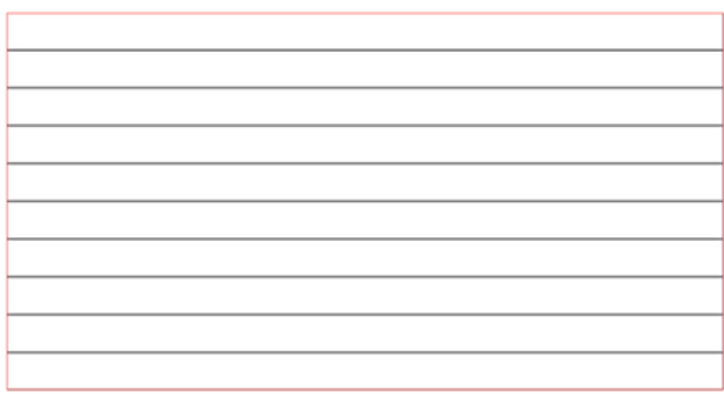
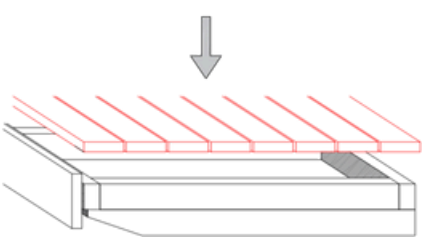
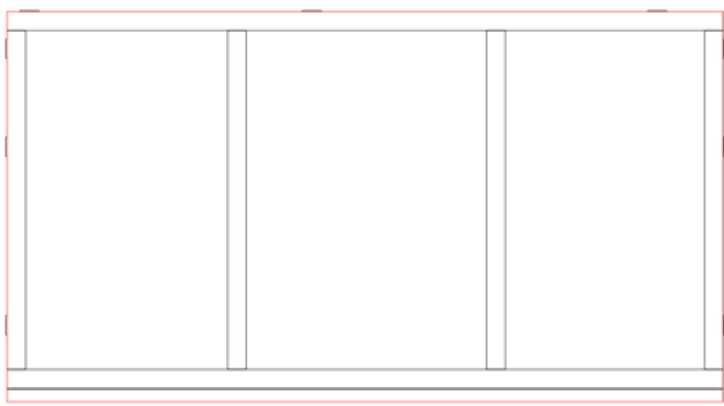
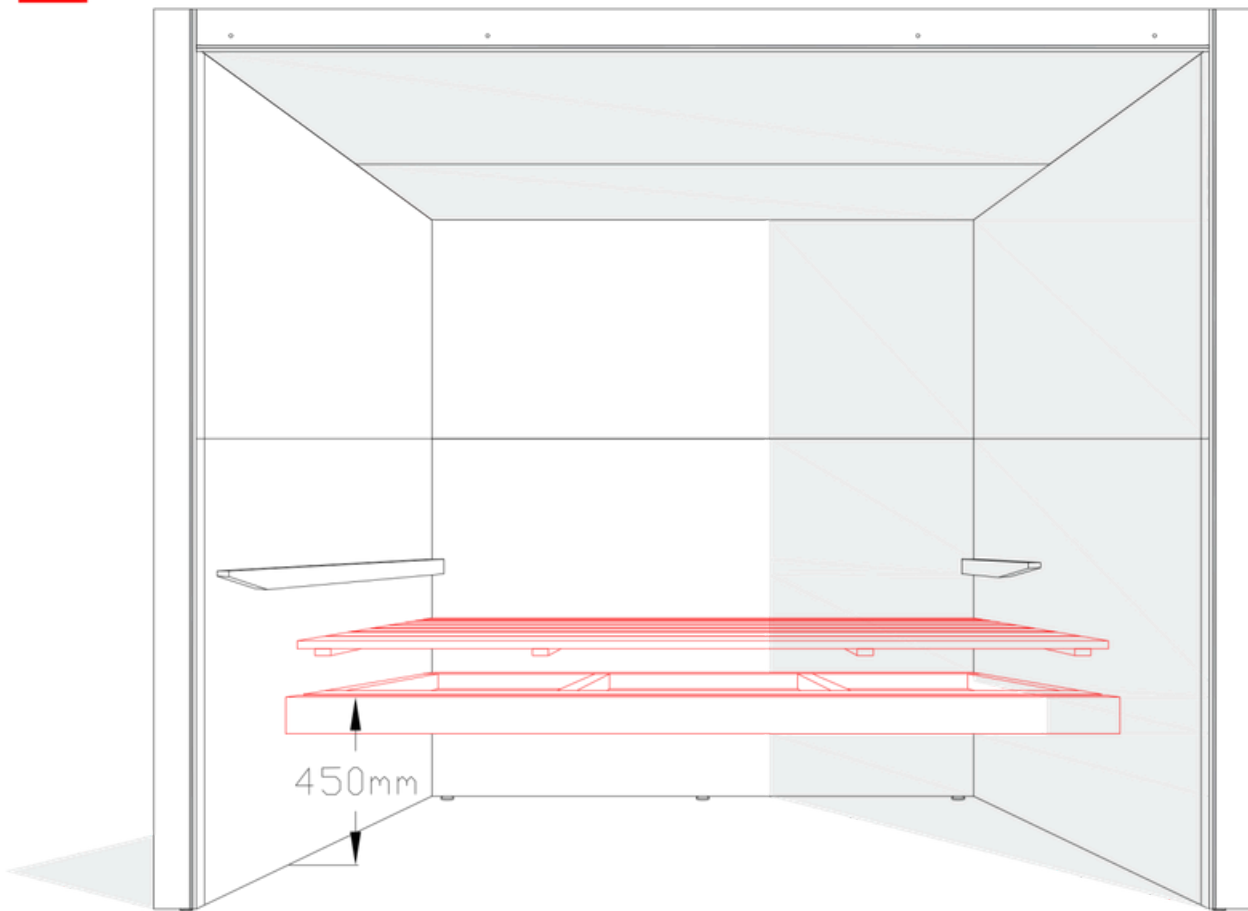
7



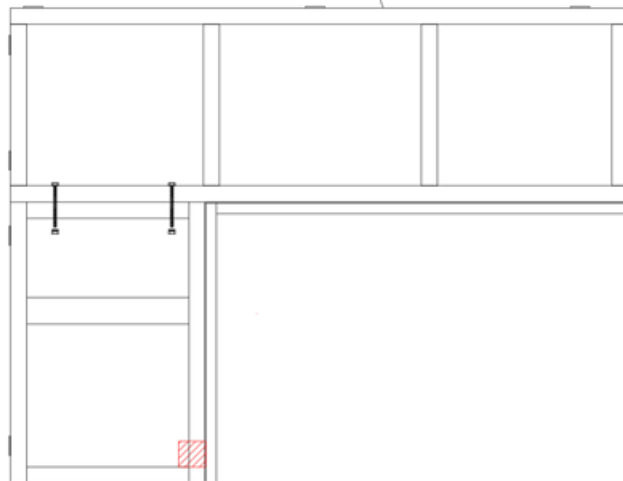
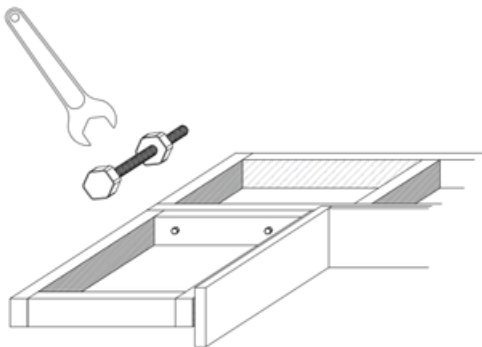
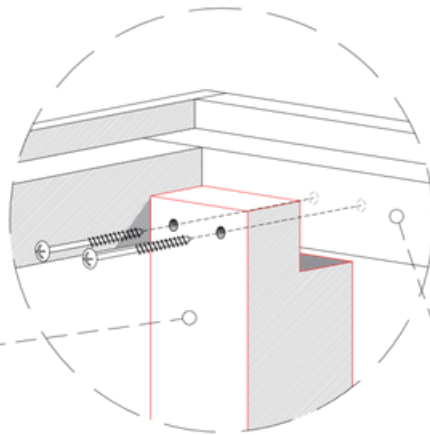
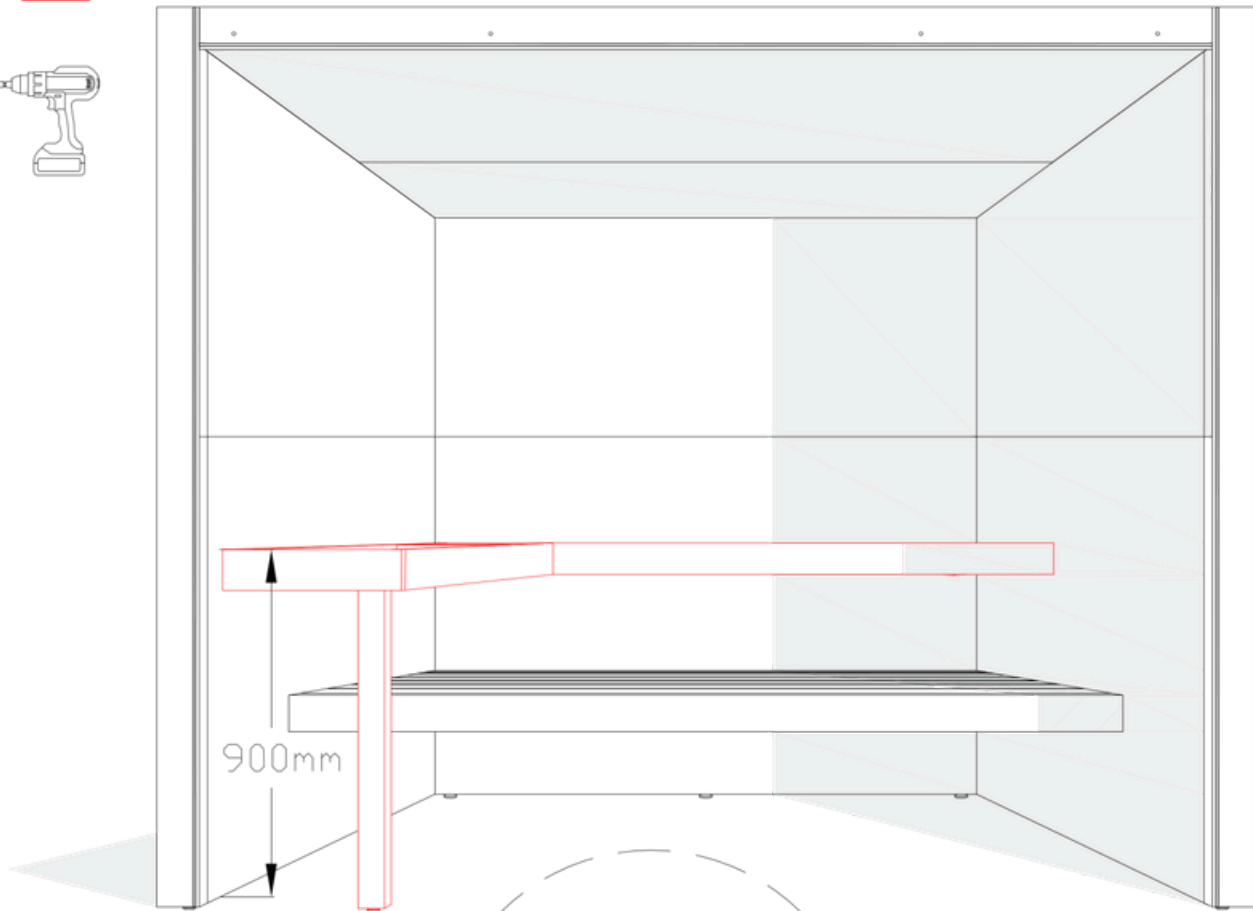
8



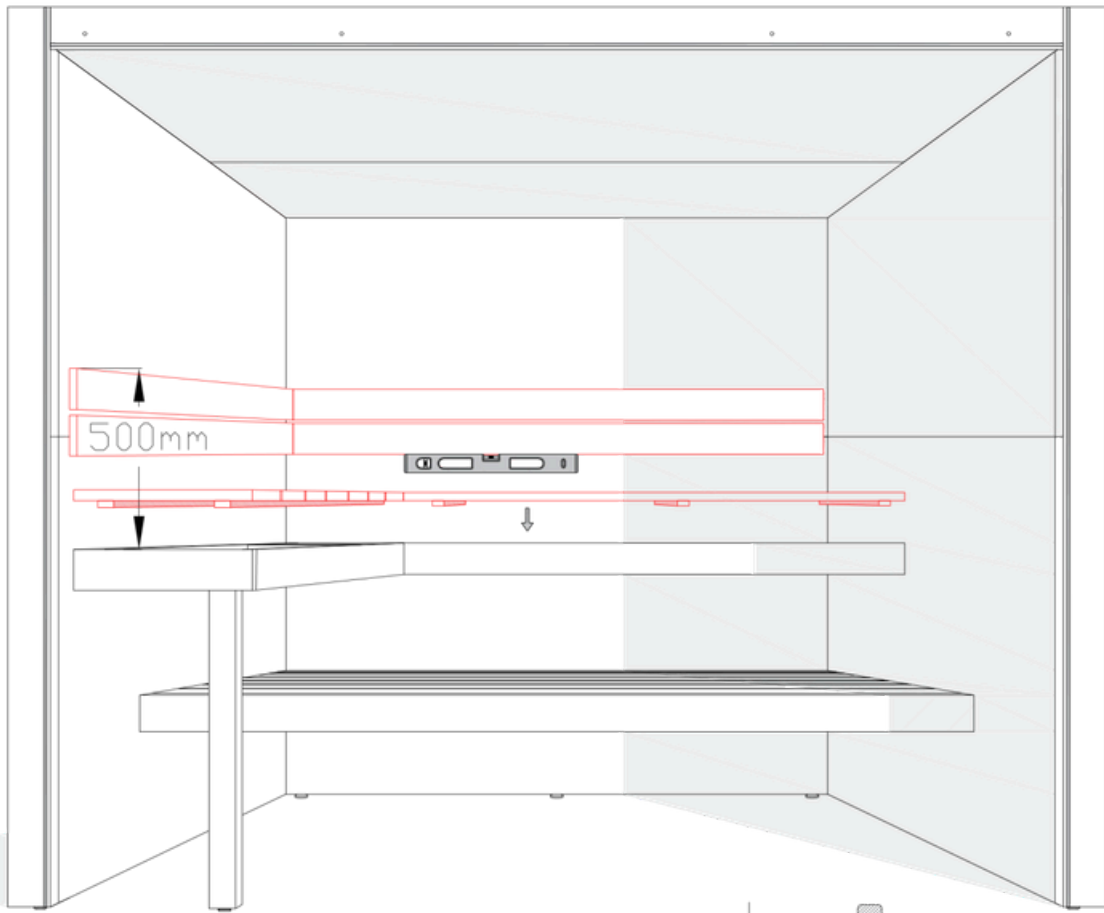
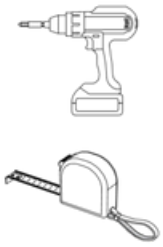




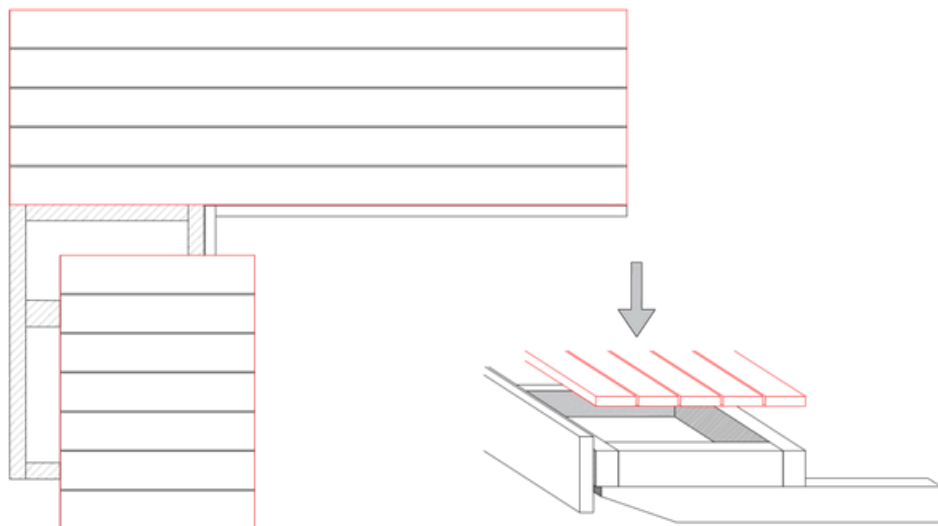
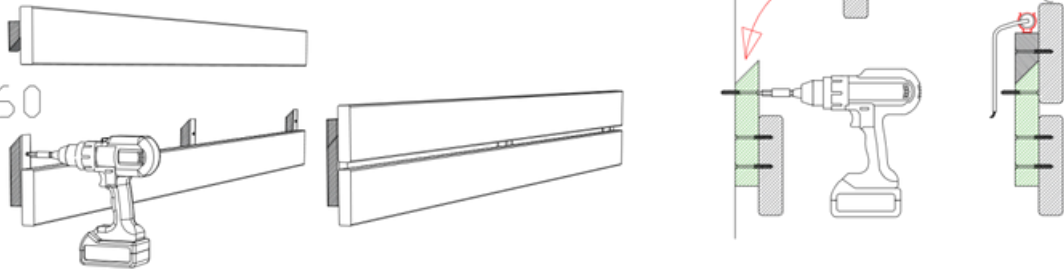
HARVIA

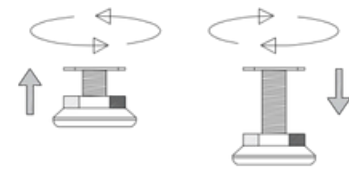
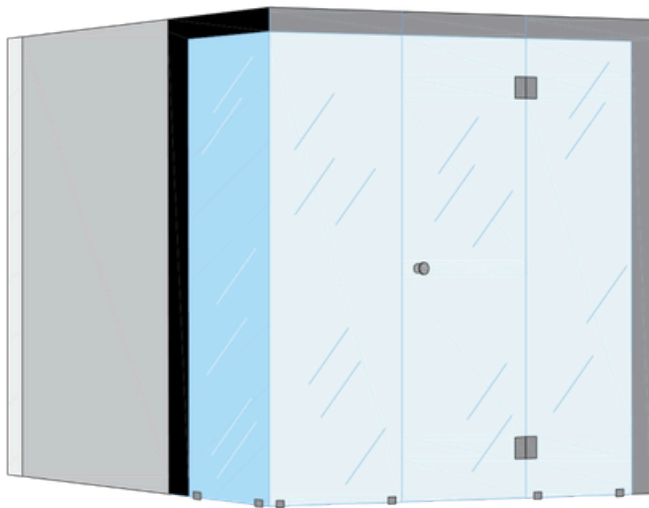
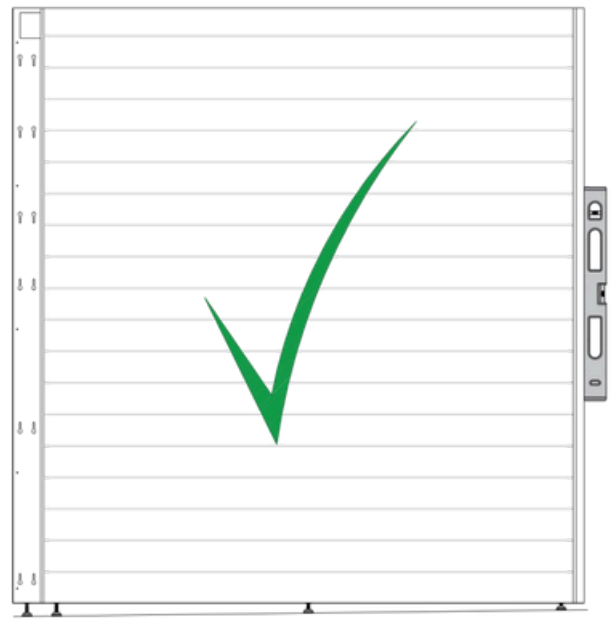
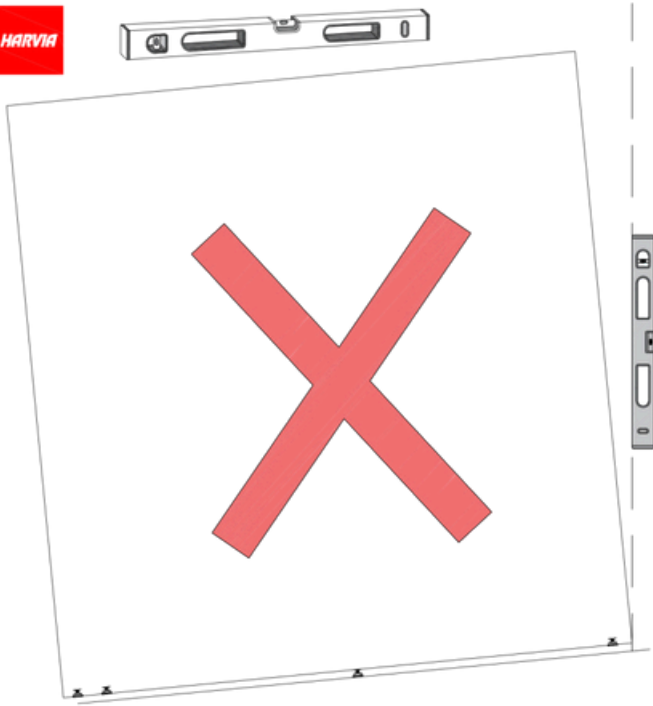


HARVIA

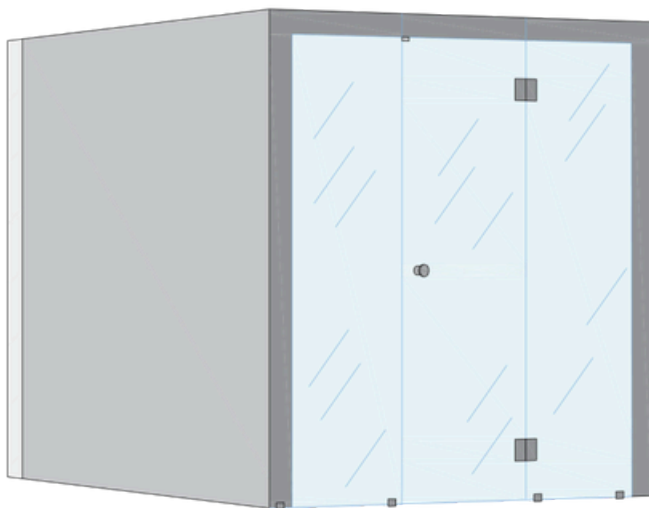


4,5*60

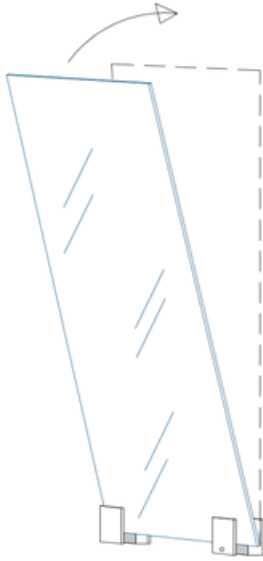




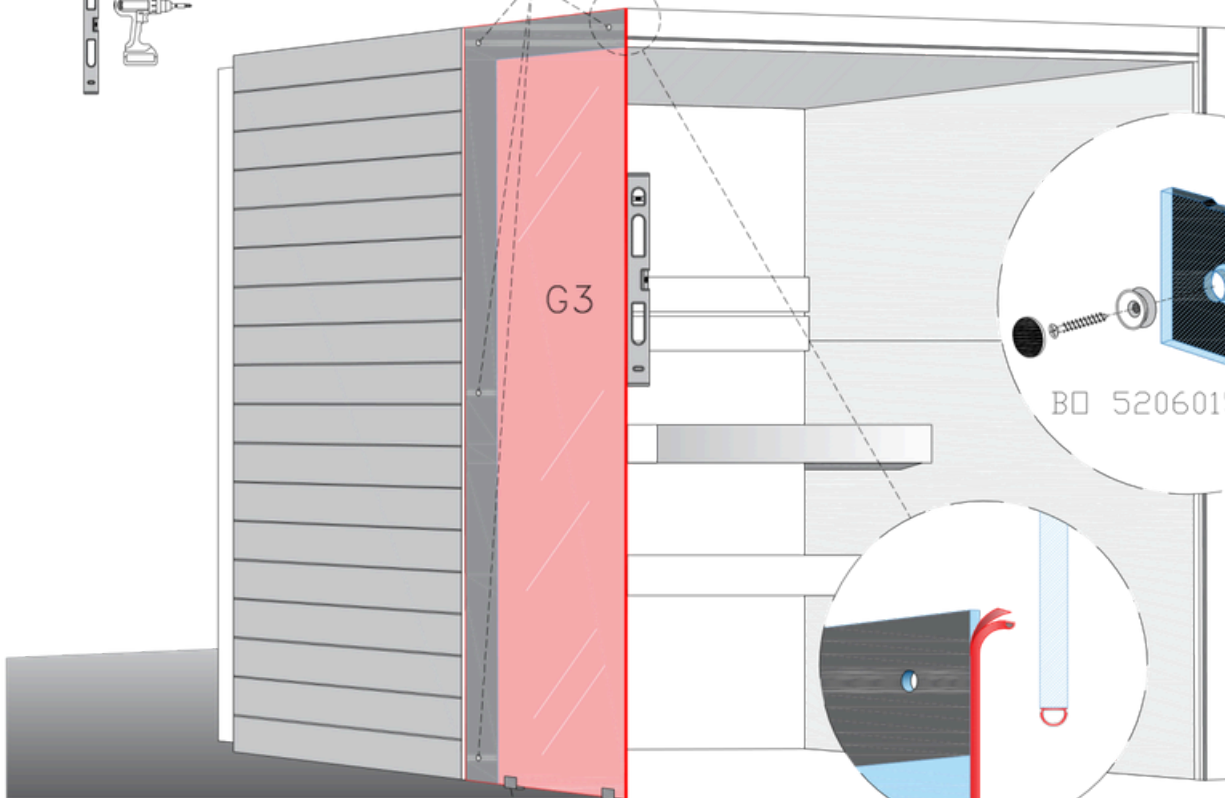
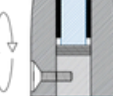
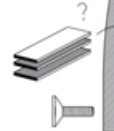
→ p.11



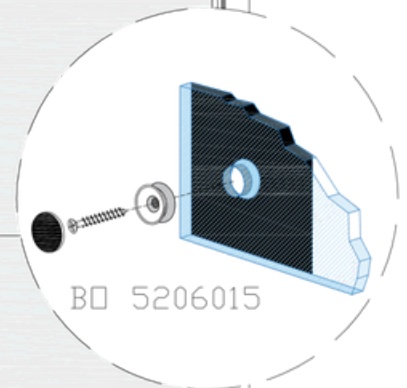
↙ p.15



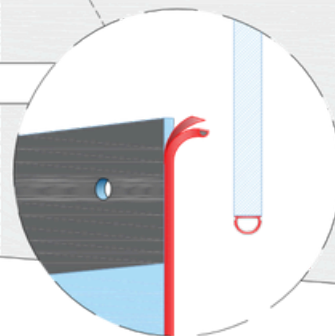
SAZ064M



G3



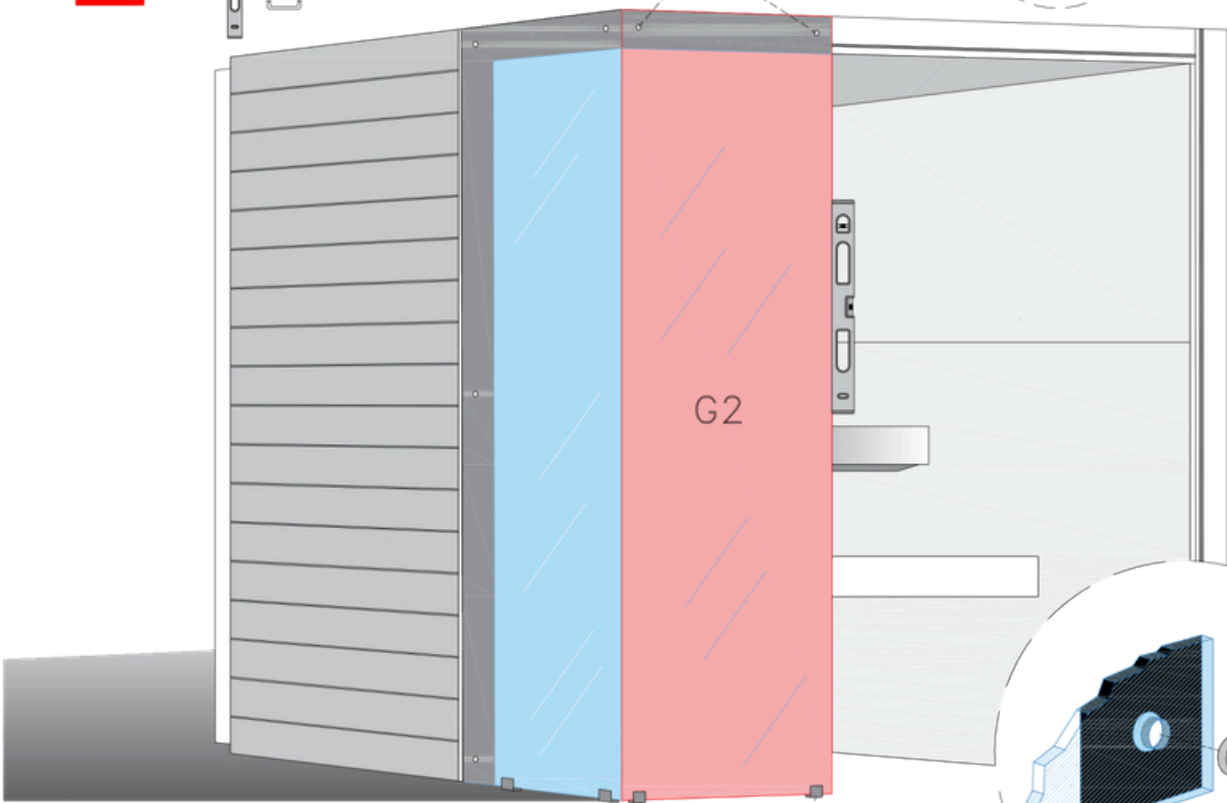
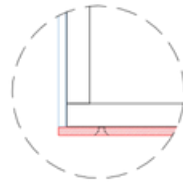
BO 5206015



SAZ064M

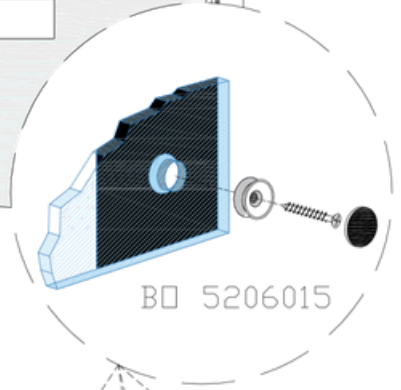


BO 5206015



G2

SAZ064M



BO 5206015

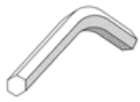


G1

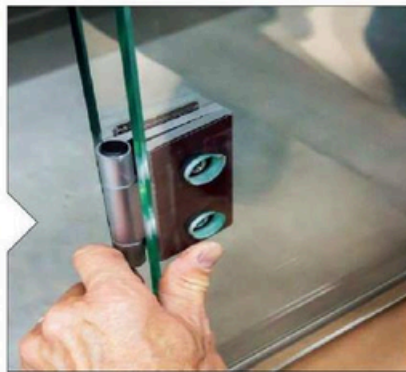
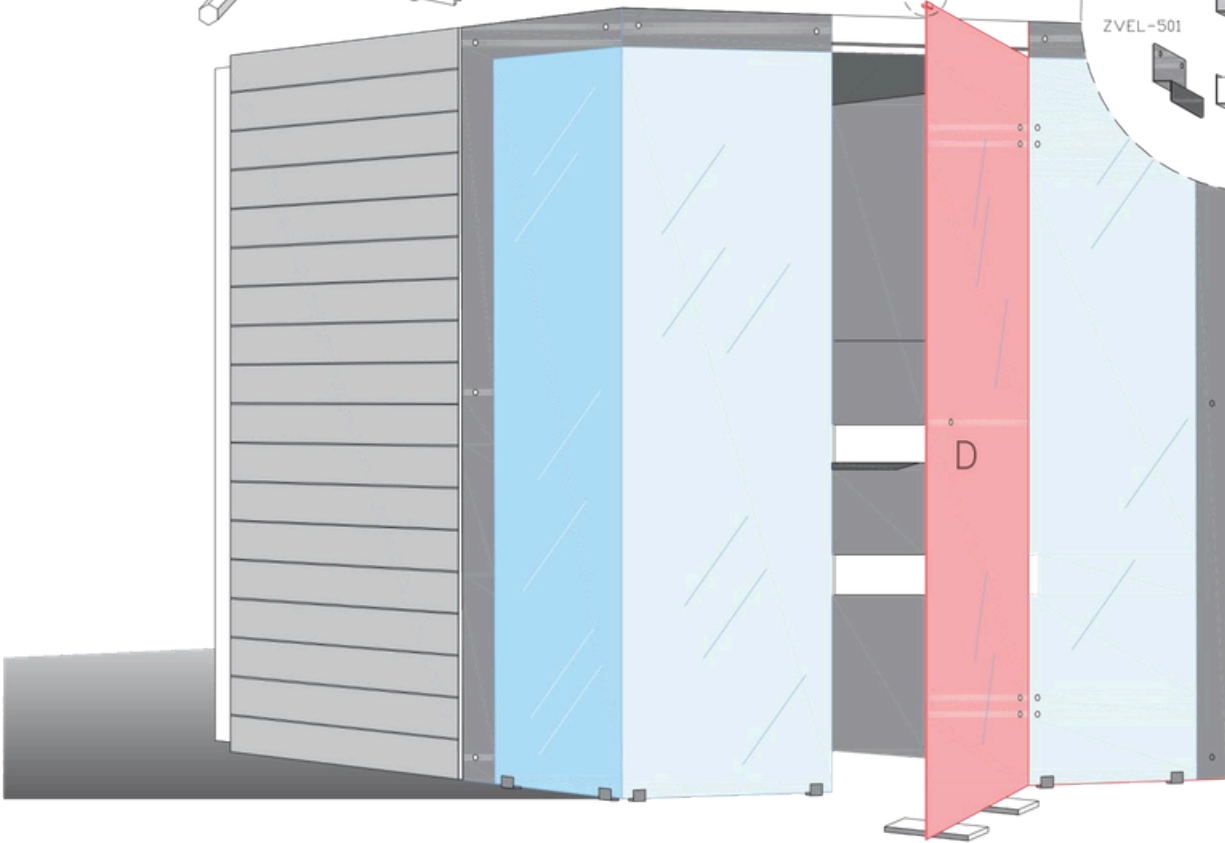
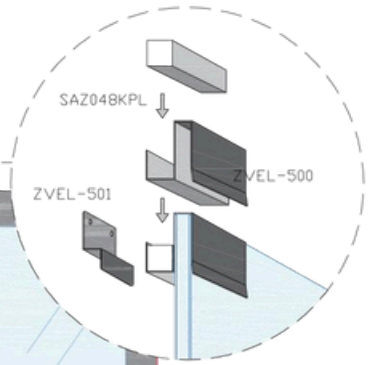
SAZ064M

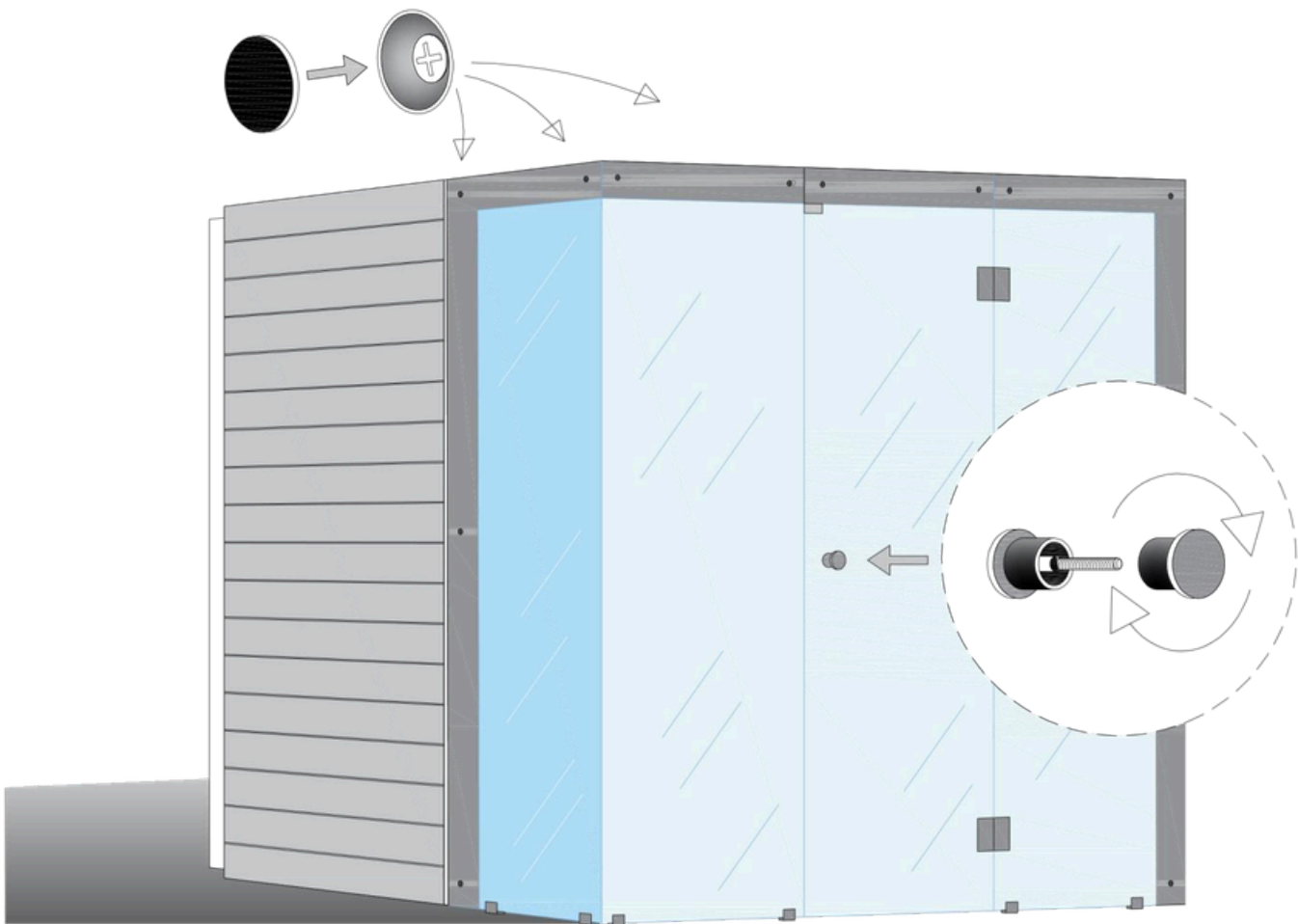
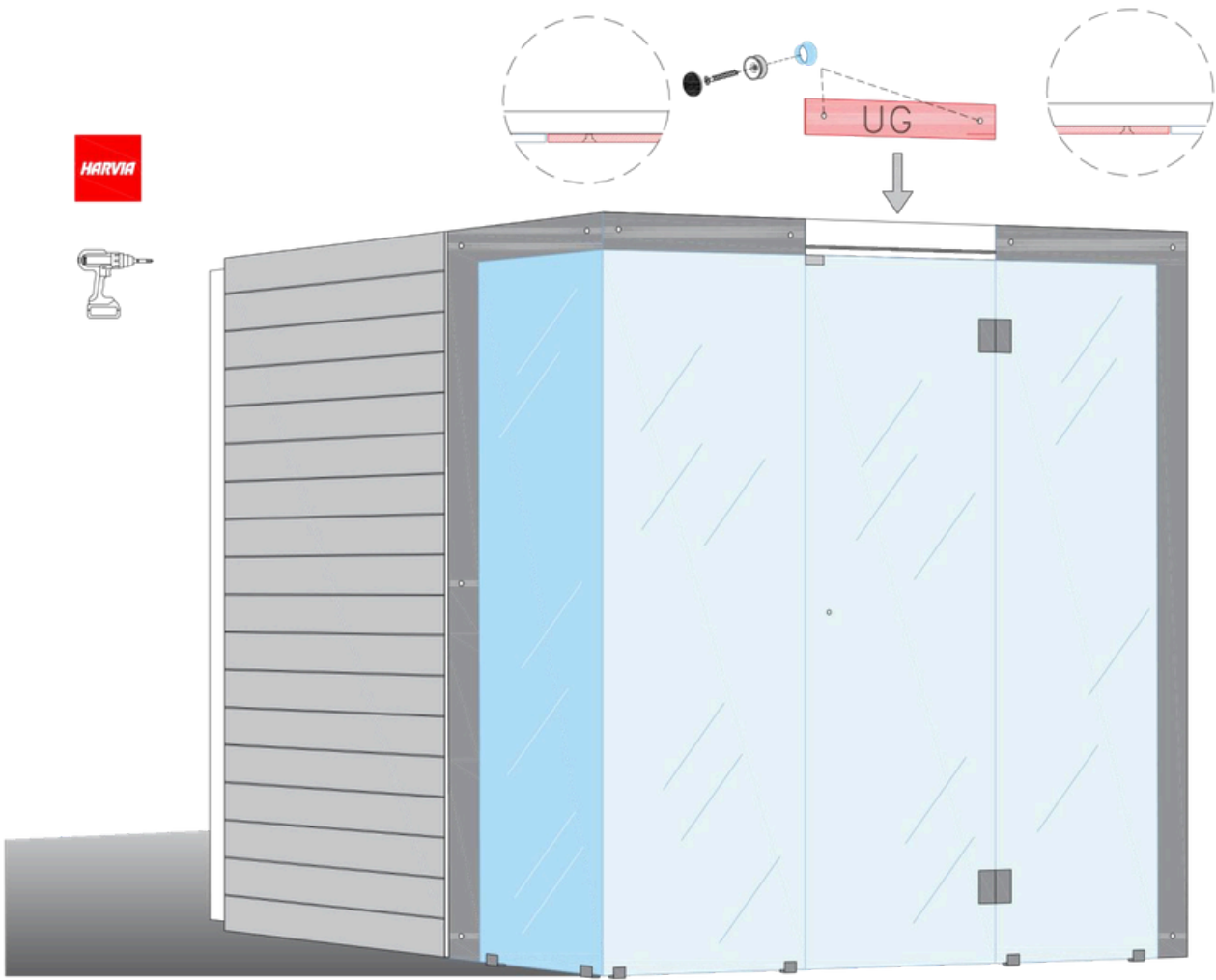


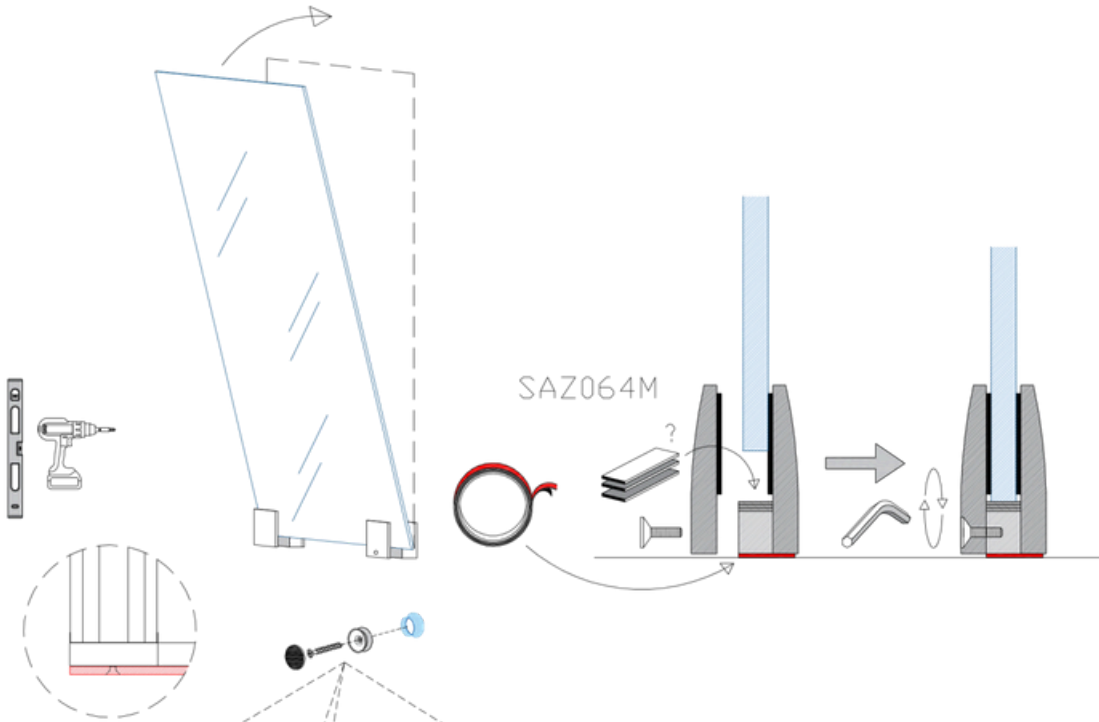
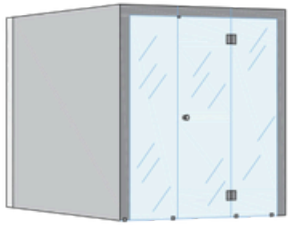
1-032-927 black



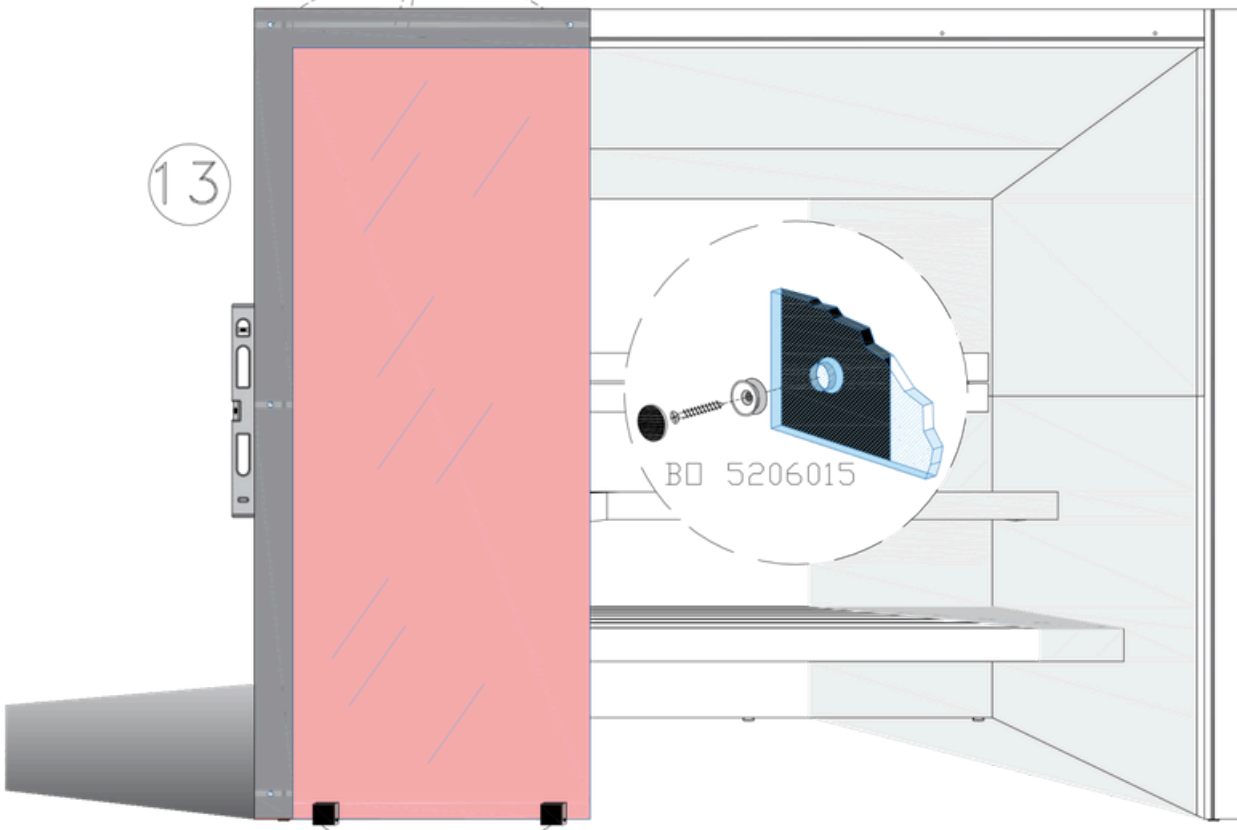
x2







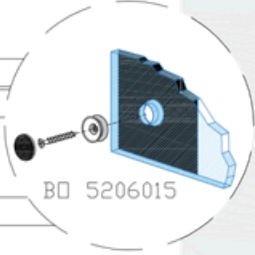
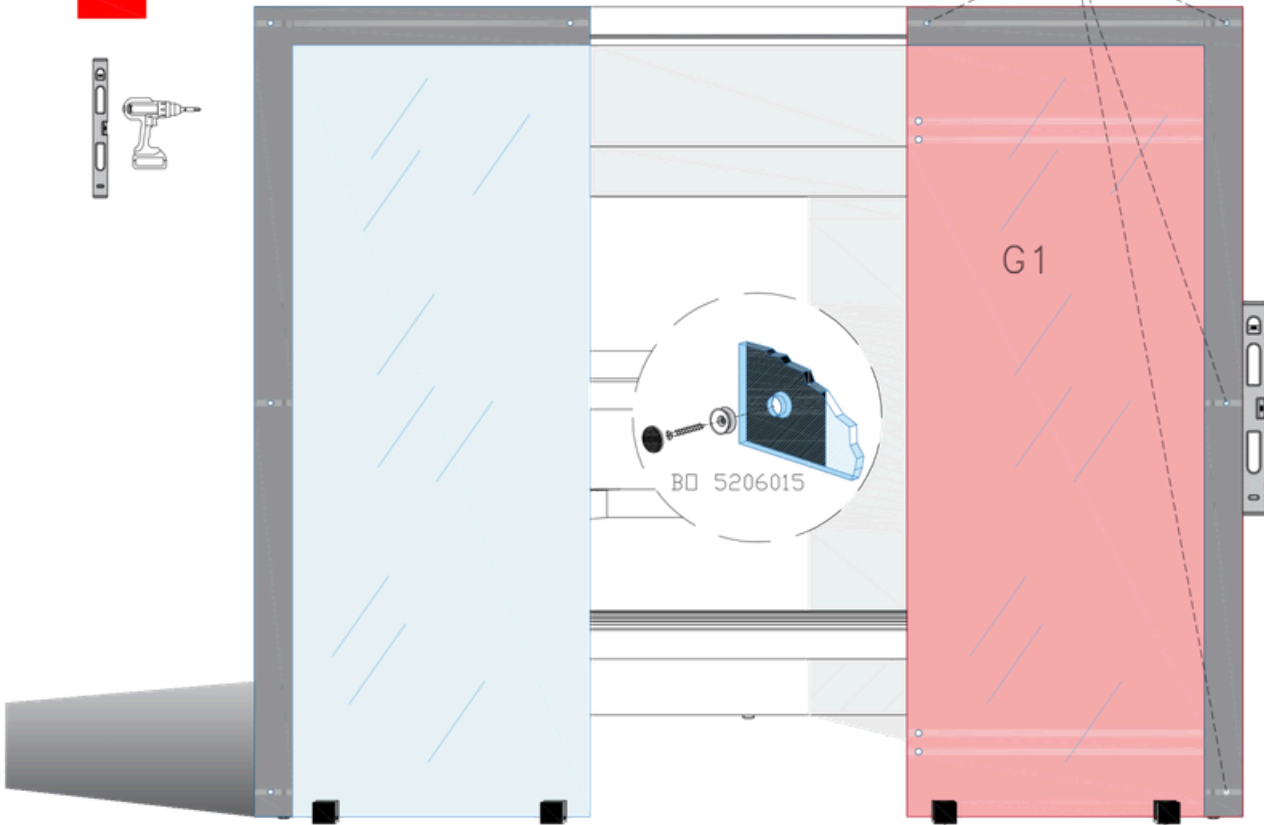
13



SAZ064M

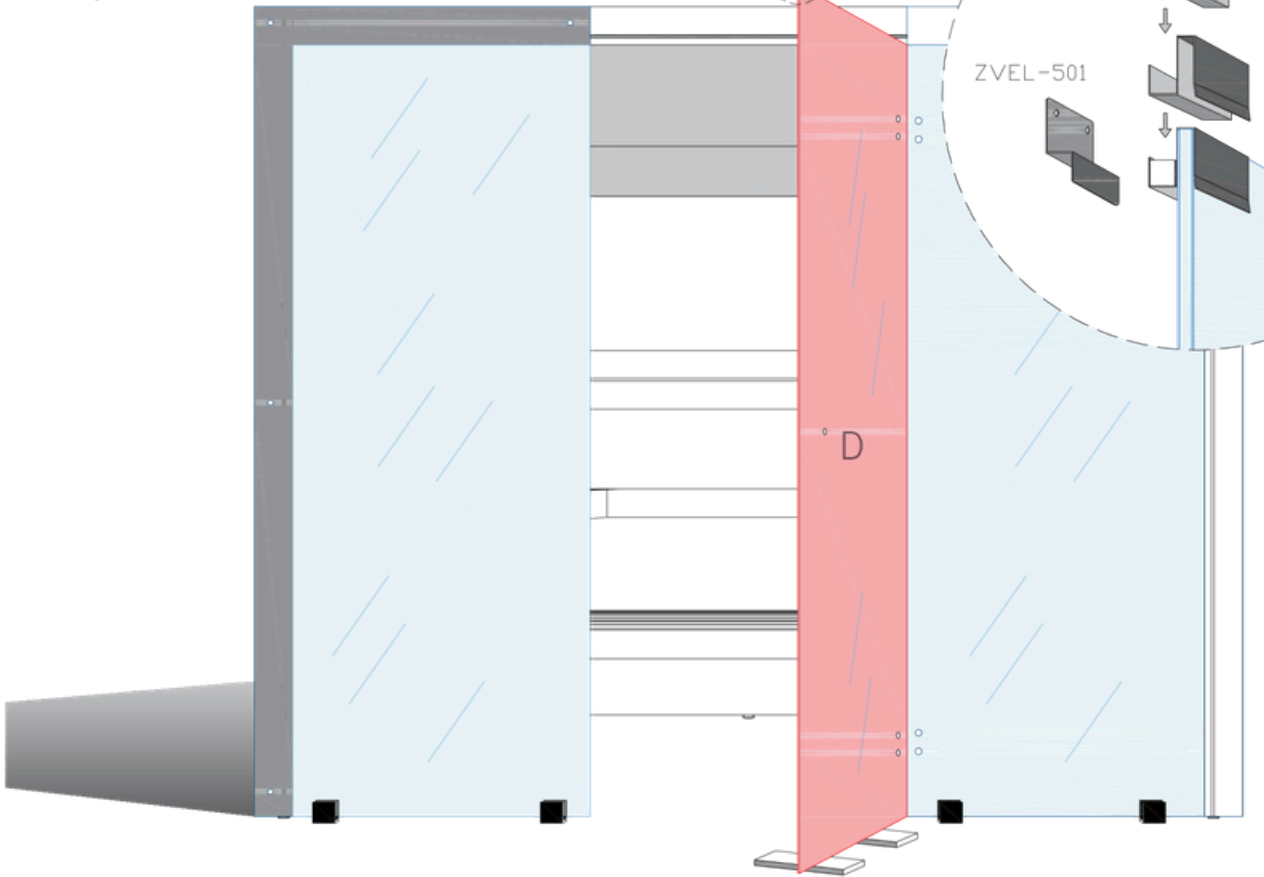
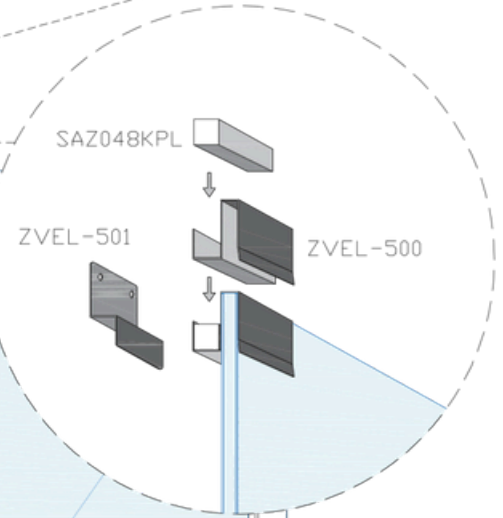


BD 5206015

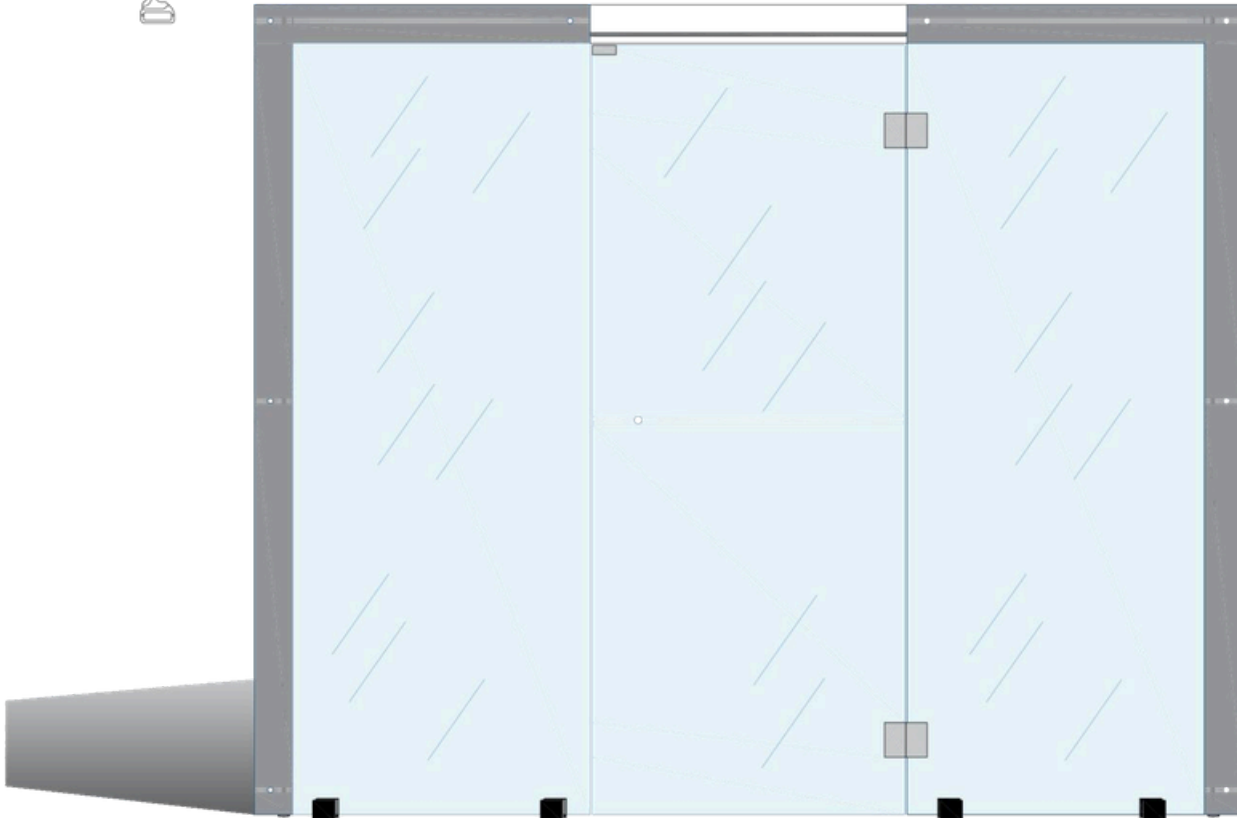
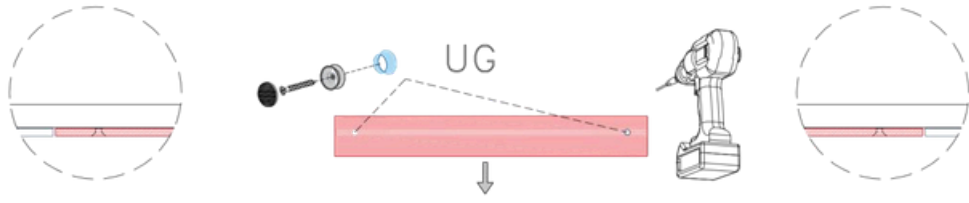


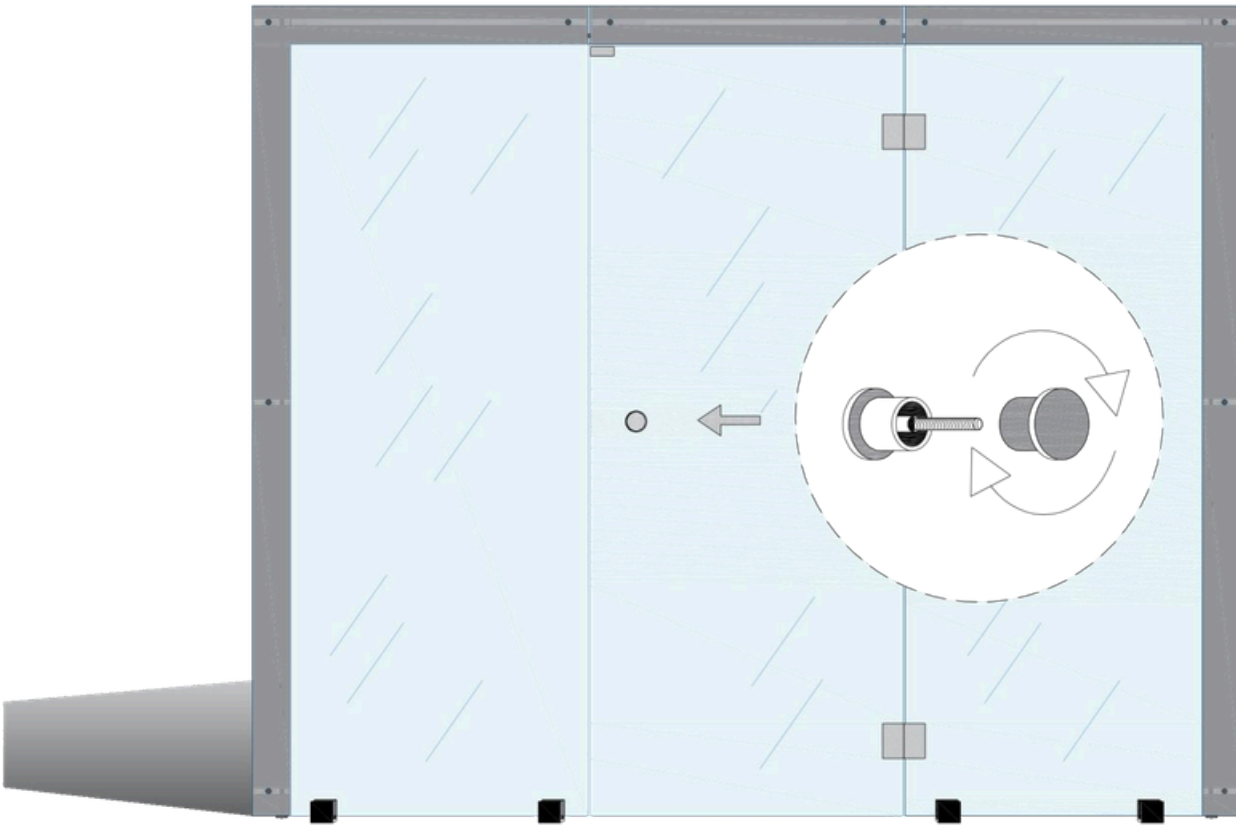
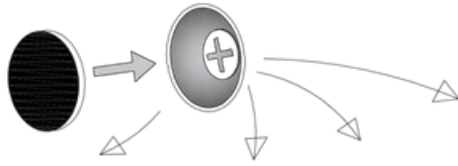
1-032-927 black
x2

SAZ064M

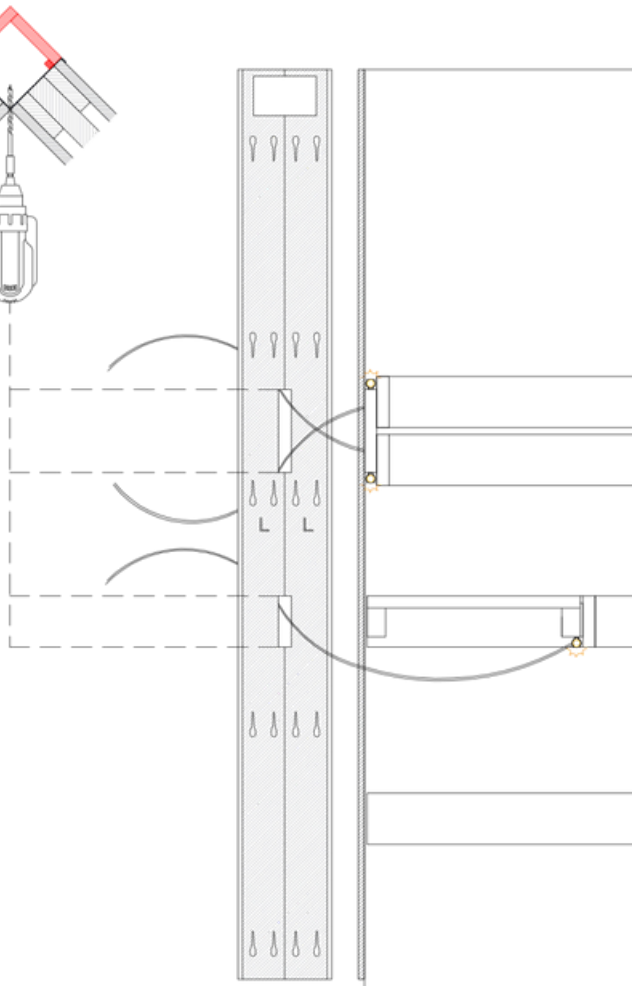
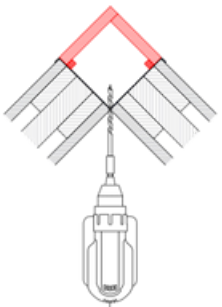
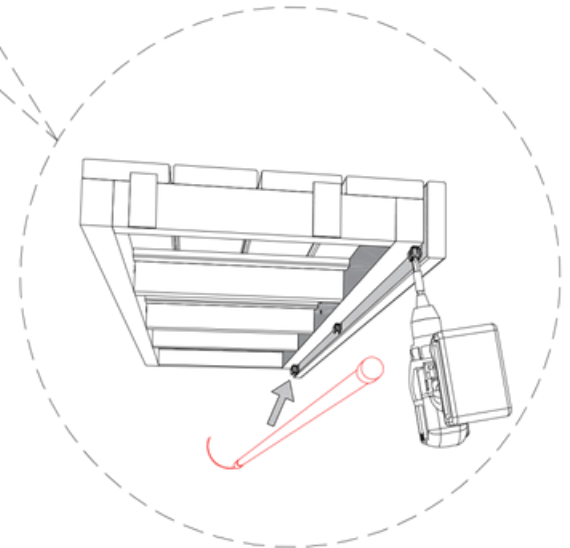
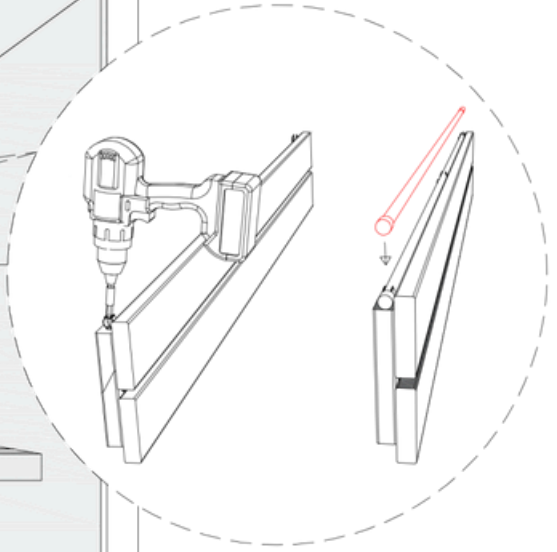
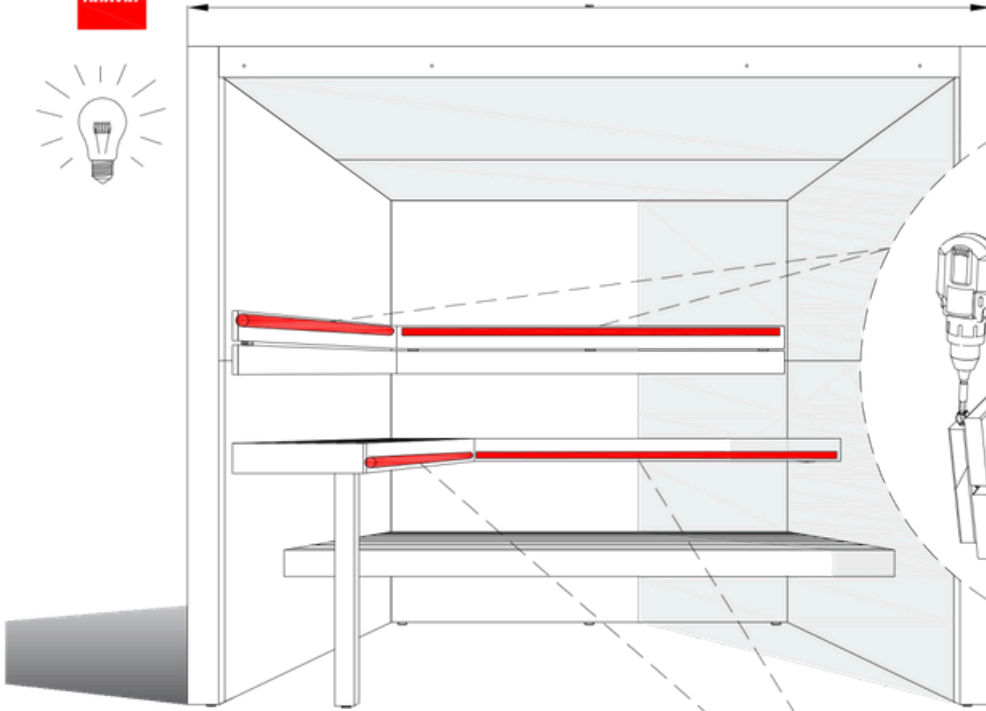


D

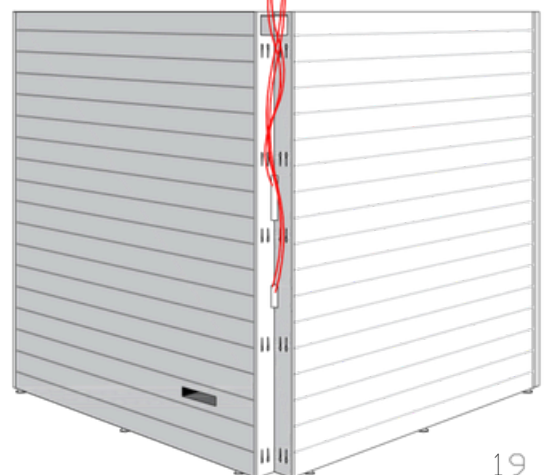




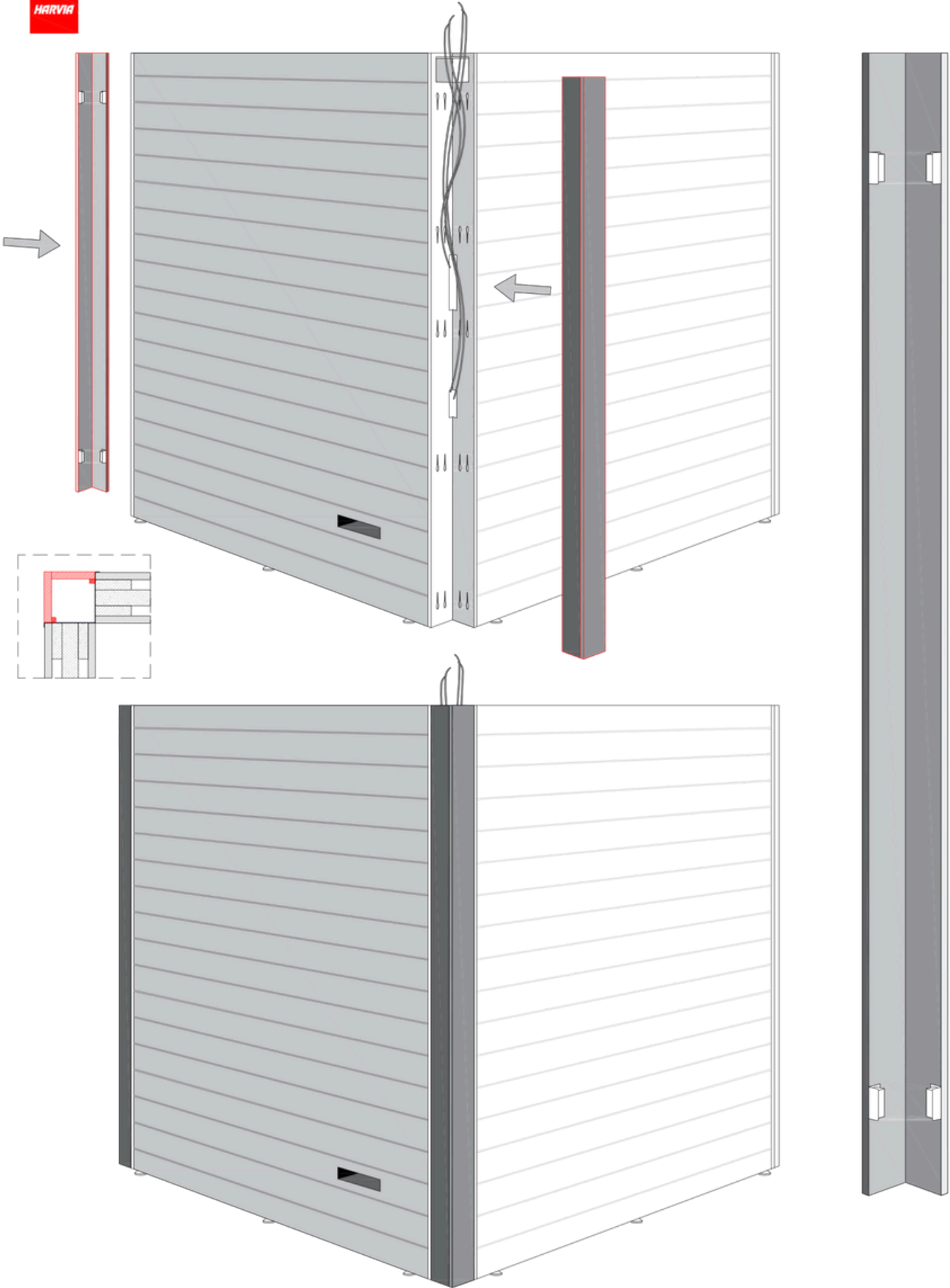
HARVIA



12 V

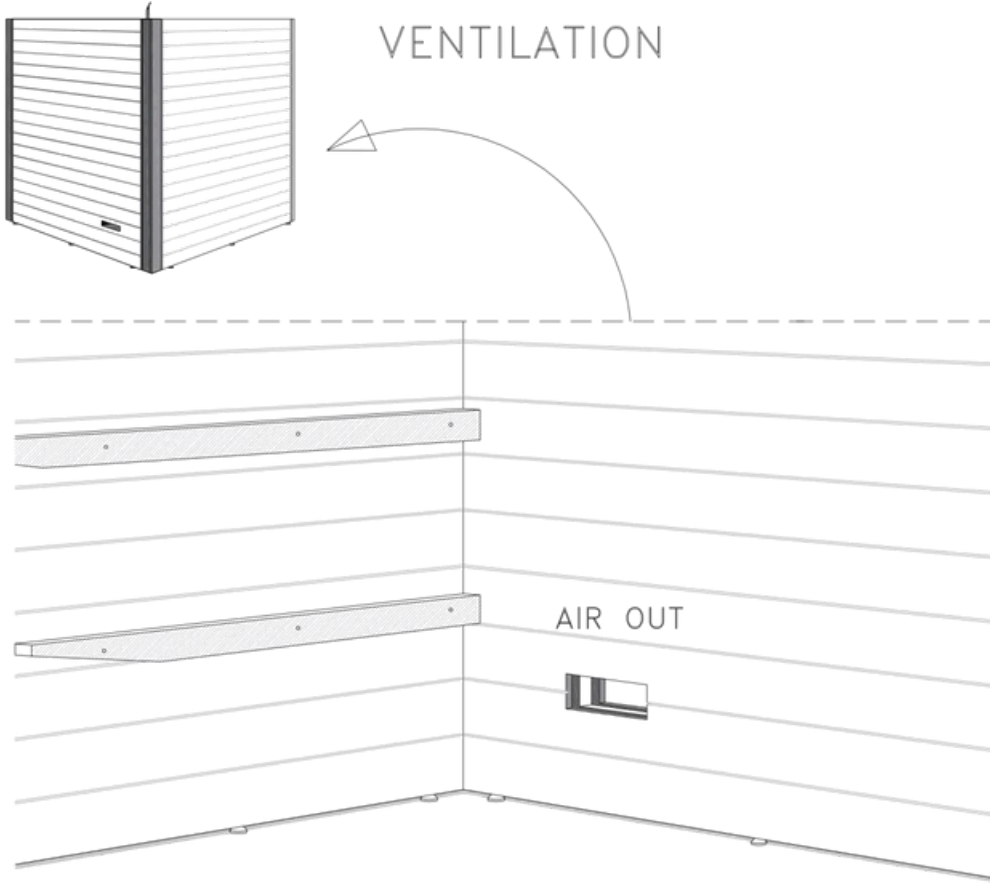


HARVIA

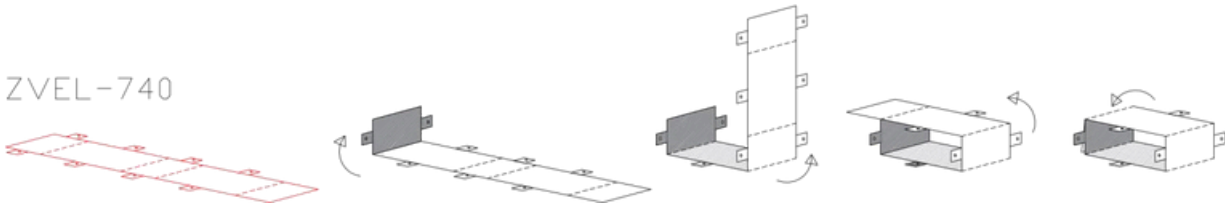


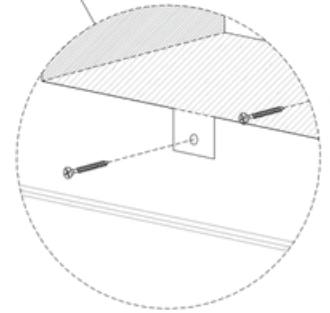
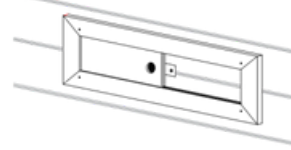
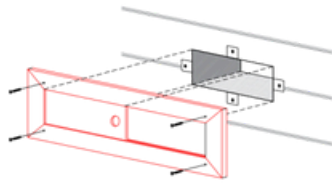
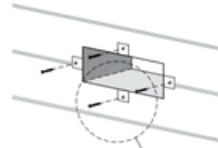
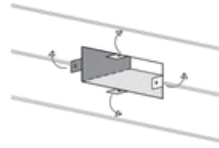
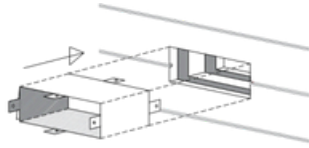


VENTILATION

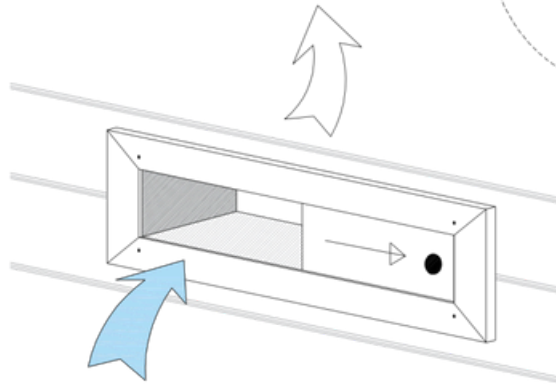


ZVEL-740

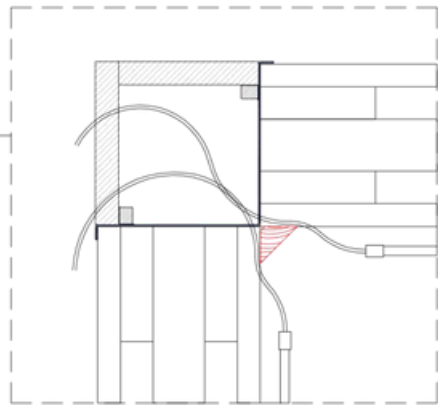
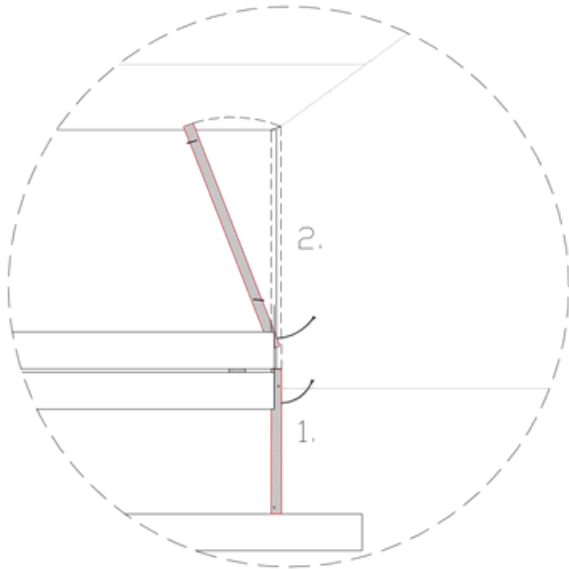
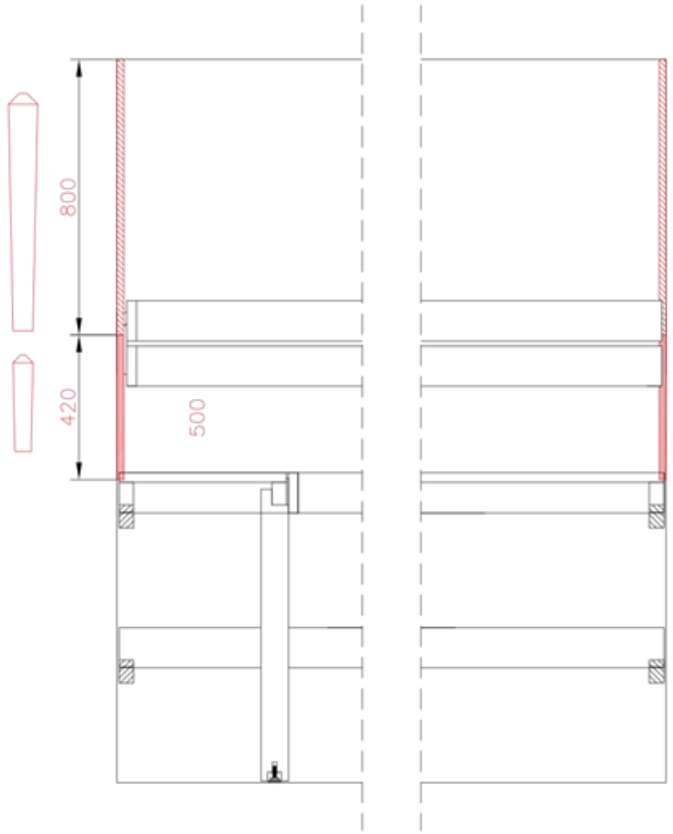
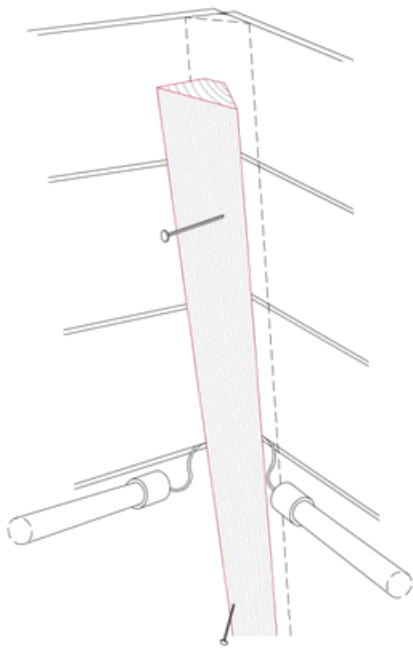




Ventilation
slider, black
4021101

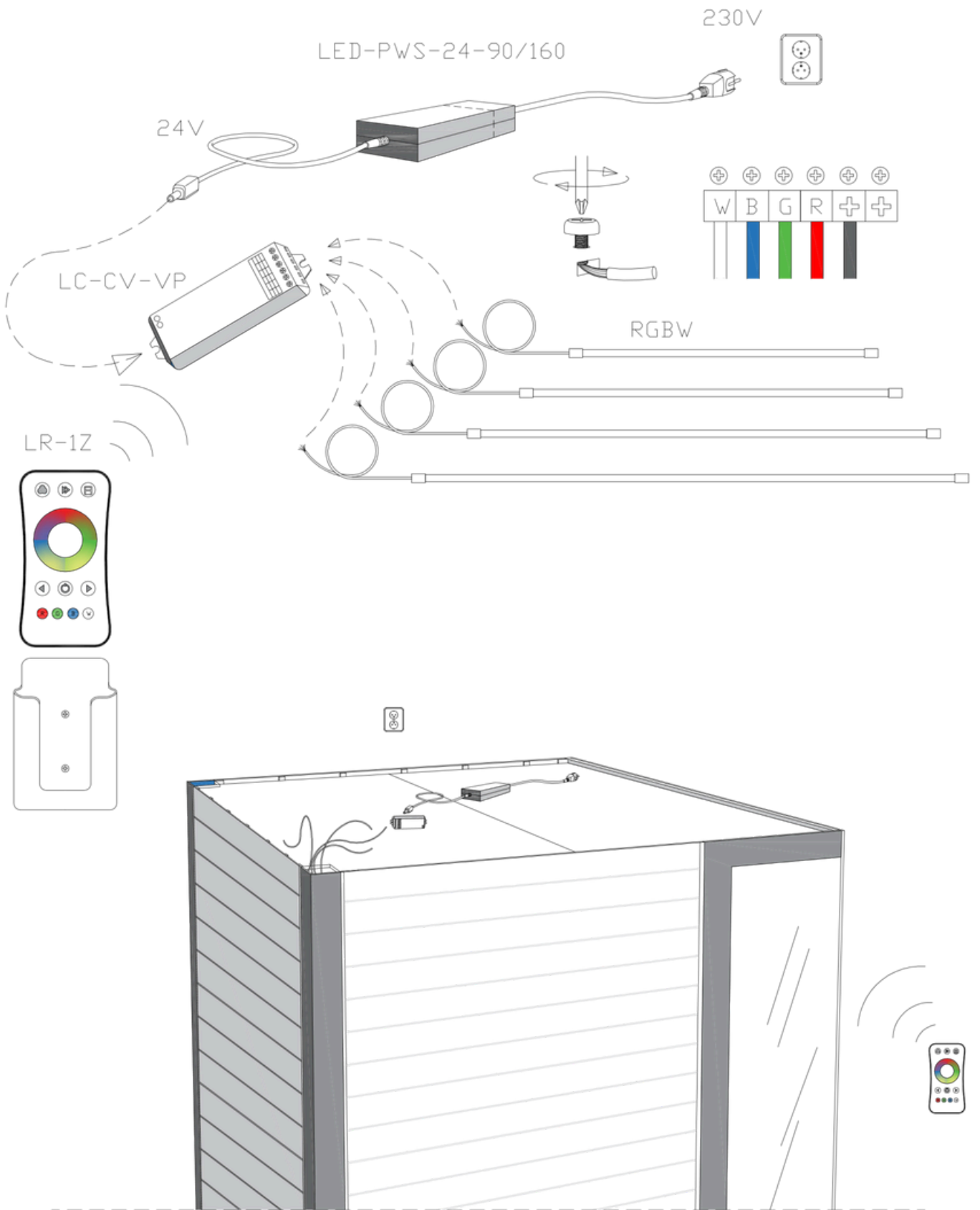


HARVIA





RGBW LED



HEATER

