



INSTALLATION & OWNER'S MANUAL

LUMARIA - MEDIUM SAUNA

Read these instructions to guide your assembly.



It is highly recommended to view the assembly video prior to starting assembly!

This product manufactured by
THERMASOL



TABLE OF CONTENTS

Preparing for Installation	03
Tools Needed	04
Symbols Used	04
Maintenance and Cleaning	04
Cabin Installation	06
Wall Element Assembly	06
Benches and Backrest Assembly	10
Ceiling Installation	13
Installing Glass Walls and Doors	14
Installing Heater and Accessories	20

PREPARING FOR INSTALLATION

Read these assembly instructions carefully and keep them within reach when using the sauna so you can look up product information at any time.

Before you begin work, check the parts list to ensure that all the individual parts have been delivered. If you discover any missing parts, notify your dealer within 7 days of receiving the sauna cabin.

- The room the sauna will be installed in must be dry and have an appropriate amount of air circulation.
- The floor must be level and even, preferably a stone or tiled floor.
 - A minimum room height of 8' is required for the cabin installation work.
 - Maintain a minimum clearance of 2" from the wall(s) to ensure proper ventilation and optimal sauna heater performance. This gap will be concealed upon completion of the installation, covered by the exterior glass and/or wood finish.
- Interior wood must not be handled with any impregnating material, the interior surfaces of the wood should be left raw and untreated.
 - Wood is a natural product that can swell, shrink or warp, despite being premium material wood species. For this reason, some force may be necessary during the installation.
- Air circulation in the sauna cabin is crucial for optimal performance and safety. Please observe the dimensions for the air intake and outlet vents specified by the manufacturer of the sauna heater.
- All screw fittings are pre-drilled.

Installation requires 2–4 people.



**Dry
Environment**



**Solid Surface,
Leveled Floor**



**No Impregnation
Liquids**



**Maintain Ventilation
Standards**



Attention!

The electrical connection may only be performed by a licensed electrician.

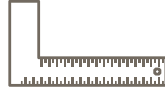
TOOLS NEEDED



Tape Measure



Utility Knife



Right Angle



Wooden Wall Lifters



5'-6' Bubble Level



Rubber Mallet



**Cordless Drill
(Cross-Head and
Torx Bits)**



Ladder



2-4 Installers Needed

SYMBOLS USED



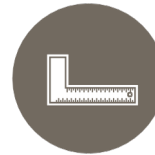
**Tips and Useful
Information**



Pre-Drilled



Handle with Care



Check Right Angle

MAINTENANCE AND CLEANING

The sauna should be cleaned with a damp cloth. Only use warm water—no cleaning products. We recommend heating the cabin once a month if the sauna has not been used for an extended period of time.



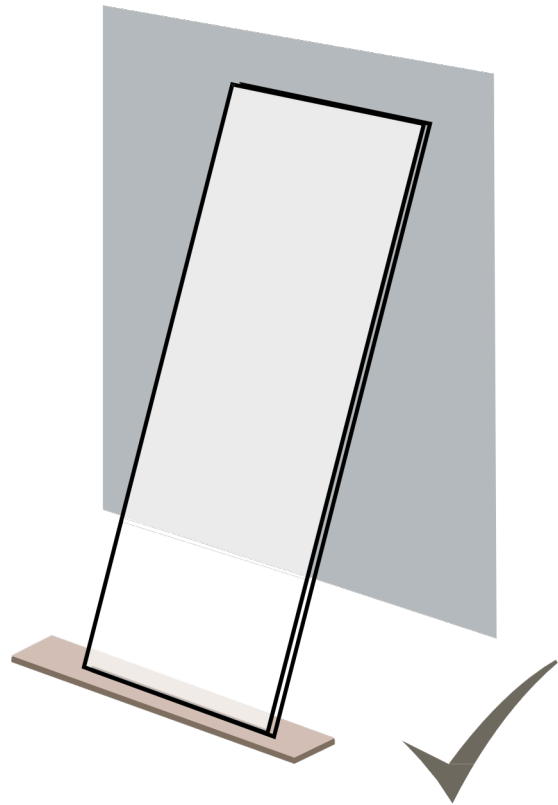
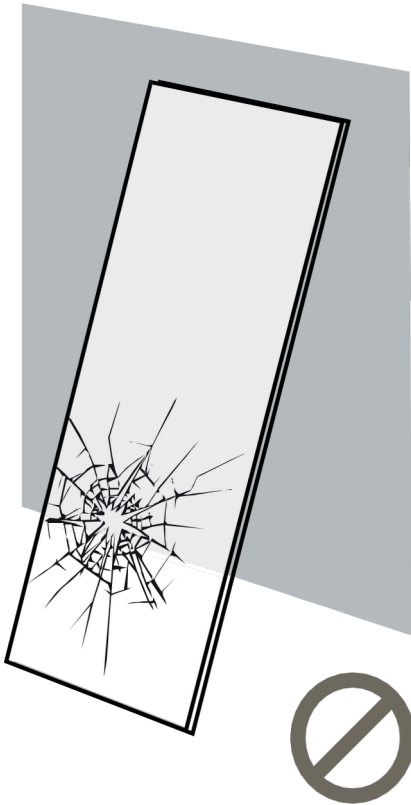
Sap pockets are not grounds for return, since they can always appear in spruce wood and the depth at which they lie cannot be detected during the fabrication process. If sap pockets are located under the surface, heat can cause them to soften and “bleed.”

The leaking sap can be removed with a rag soaked in acetone. If only droplets of sap occur, allow these to harden and then carefully scrape them off with a knife.

GLASS CARE



Handle with care: Special care must be adhered to with the edges of the tempered glass which can shatter into small pieces in the event of accidental impact. Insert protective cushioning (e.g.: cardboard box) under the edge of the glass during the installation process to ensure proper protection.



DISPOSAL

The packaging used contains both recyclable materials and potential hazardous substances. Do not dispose within the household. Instead, ensure it is handled and disposed of in compliance with local environmental and safety regulations.



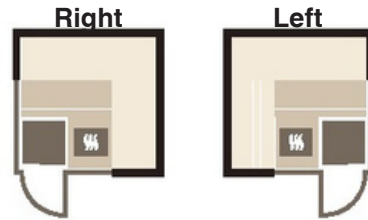
CABIN INSTALLATION

Sauna Installation Is Divided Into Six Phases

1. Wall Element Assembly
2. Benches and Backrest Assembly
3. Ceiling Installation
4. Installing Glass Walls and Doors
5. Installing Heater and Accessories



Cabin may be configured in right- or left-hand orientation. Refer to the corresponding floor plans.



1. WALL ELEMENT ASSEMBLY

Sauna Parts

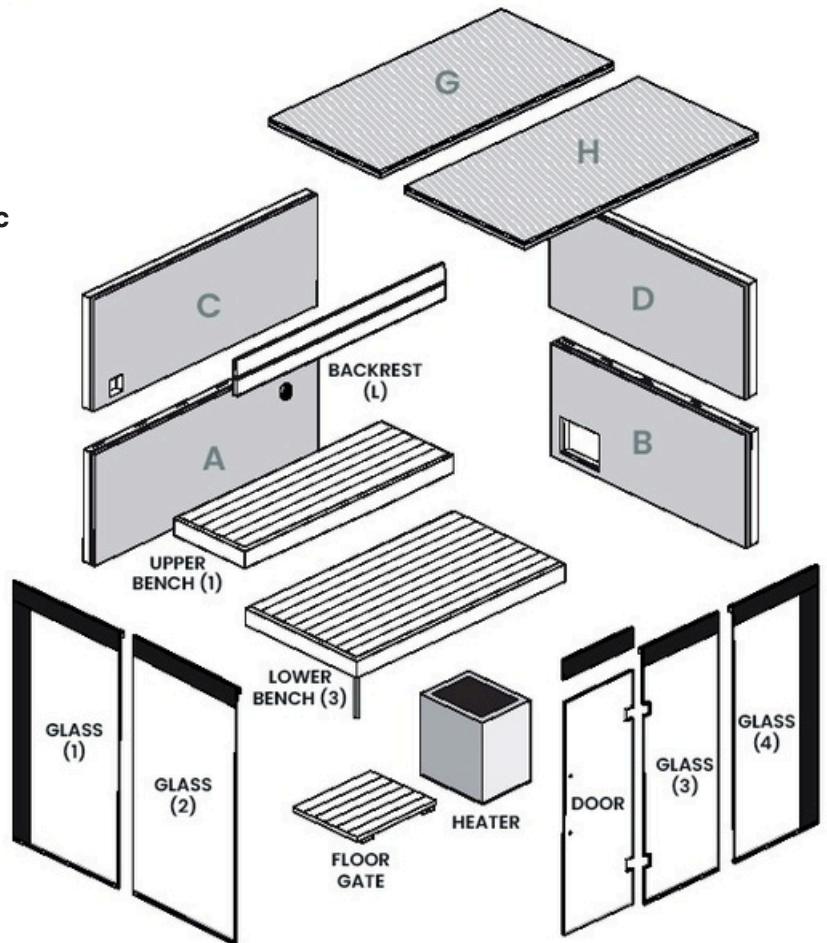
Two sides of the sauna are made of wooden walls. For easier transport, they are divided into four parts (A, B, C, D), as shown in the schematic on the next page. First, assemble the lower two parts (A, B), then add the upper two (C, D). All joints are pre-prepared and easy to install.

The vent opening is for circulation of the air.

The panels (A, B) are supported by commercial grade footing.

The dowels on the top side of the panel are prepared to slot into the notches and ensure a secure joint.

The opening for electronics is located on the lower inner side of the panel.

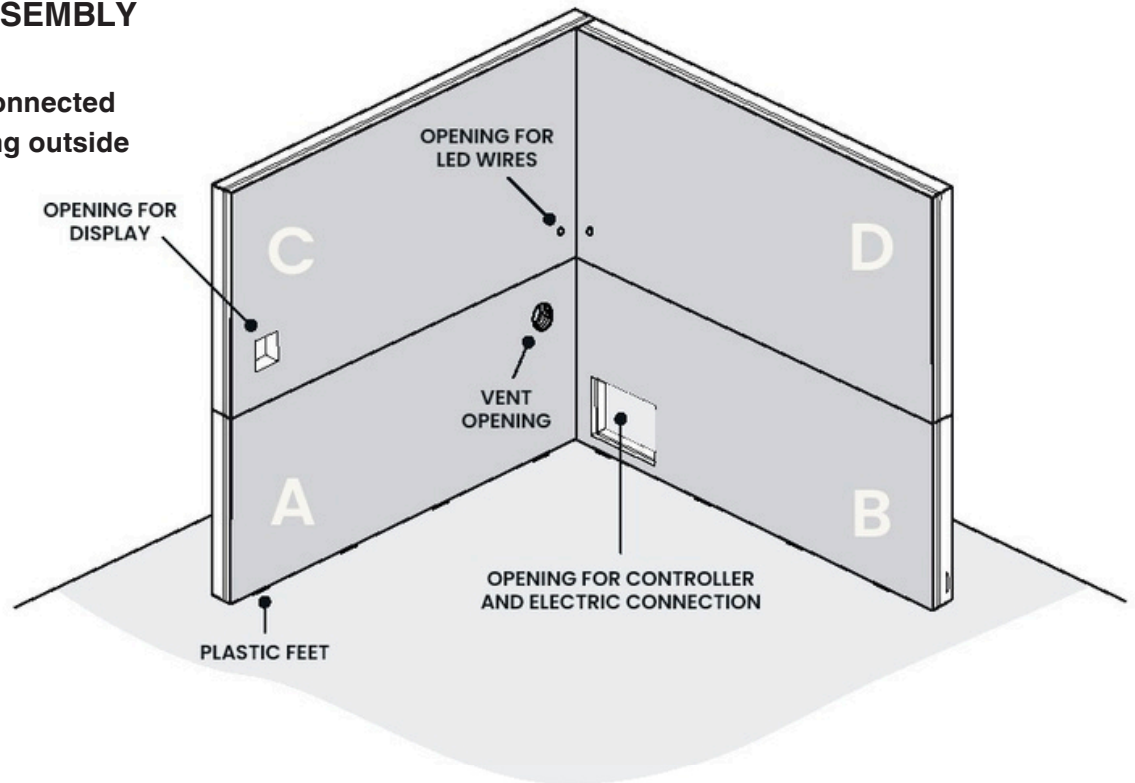




1. WALL ELEMENT ASSEMBLY

Wall Parts

A vent opening must be connected to a ventilation duct leading outside of the wall cavity.



STEP 1: JOINT BETWEEN PANEL A AND B

Positioning

Place panel A and panel B on a flat surface, aligning them at a right angle (90°).

Alignment

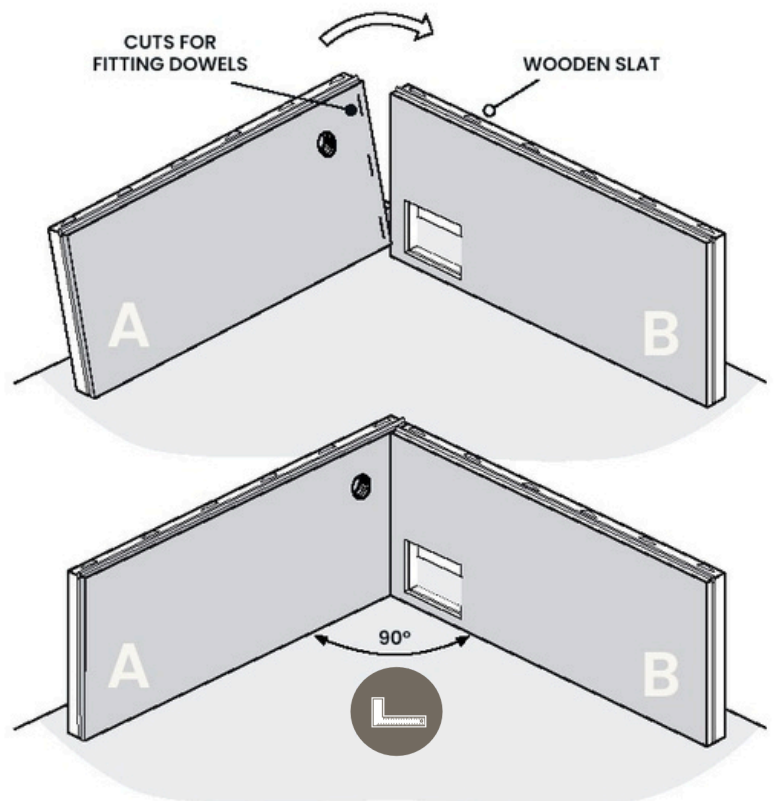
Ensure the pre-prepared cuts on panel A line up with the dowels on panel B.

Connection

Start connecting from the bottom upward.

Gently insert the dowels into the corresponding cuts, ensuring they slide in smoothly and align precisely.

As you move upward, continue pressing or fitting the panels together along the entire joint until the corner is fully closed. The wooden slat and dowel joint securely hold the two panels together, forming a strong, flush corner connection ready for the next assembly step.





1. WALL ELEMENT ASSEMBLY

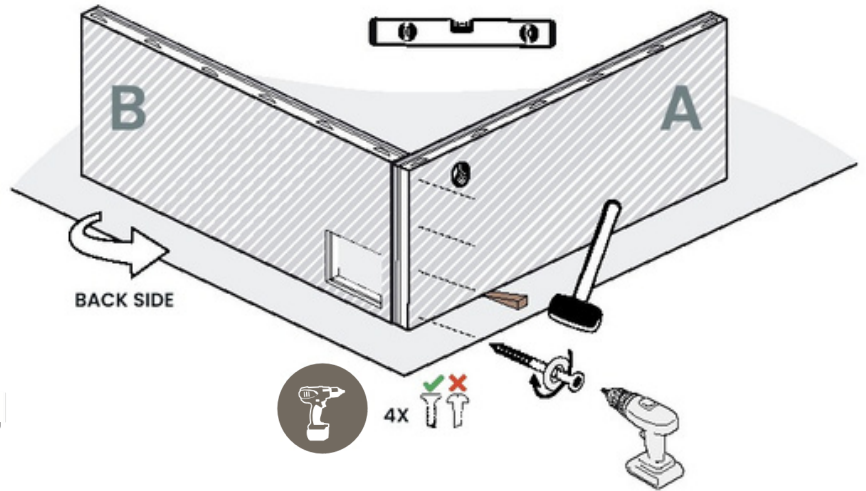
Back Side of the Panel Connection

Leveling

Level the top edge: If the top of the panels is slightly misaligned, use a rubber mallet to gently tap the side of the panel or the wooden block placed underneath. This light tapping helps level the panels at the top and ensures the joint closes perfectly without gaps.

Fastening

Once the panels are level and perfectly aligned, secure them with 4 screws as shown. Use flange-head screws and washers.



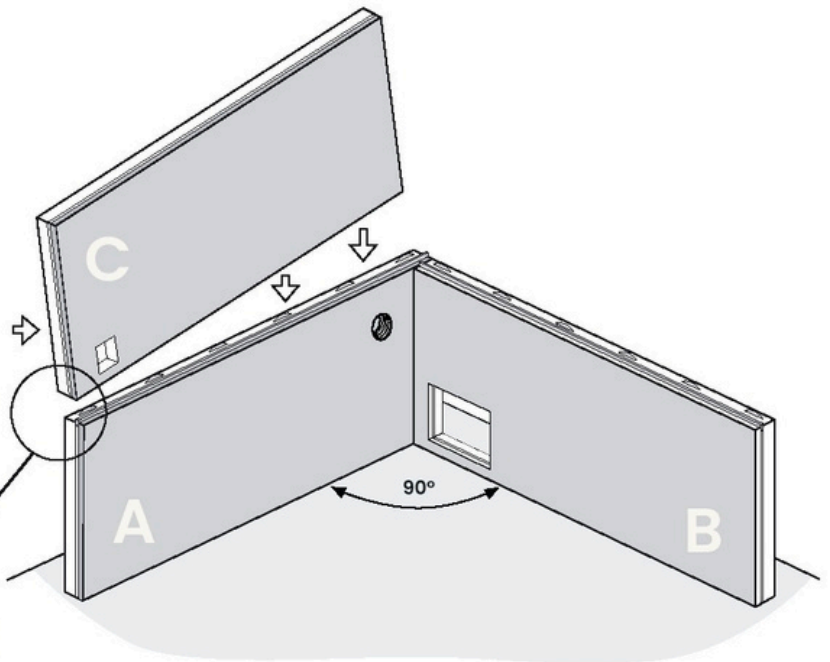
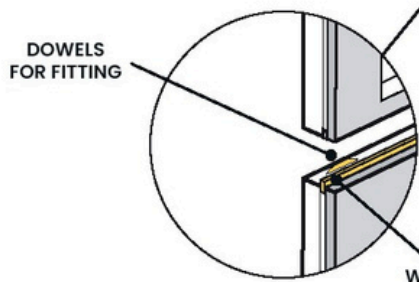
Avoid damage: Do not hit the panel surface directly. Always use a rubber mallet or place a wooden spacer between the hammer and the panel to protect the finish and avoid denting.

STEP 2: ADDING PANELS C AND D

Back Side of the Panel Connection

Panels C and D are added above panels A and B in the same way. Here too, all joints are pre-prepared, allowing the panels to be assembled easily. To ensure a complete and proper joint, use a hammer if necessary. Once all panels are aligned and properly connected, tighten the bolts (in the corner on the outside).

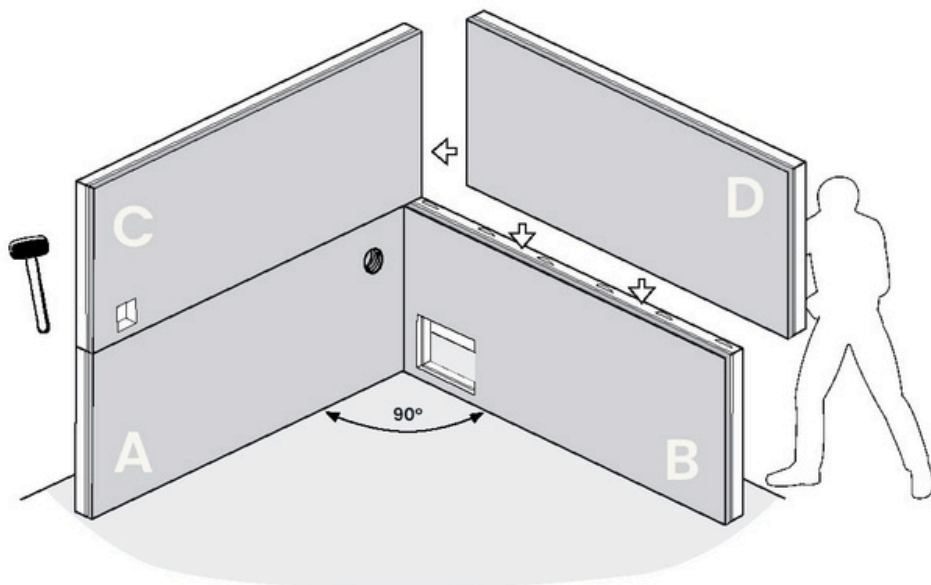
Panel A and B have wooden slats and dowels that help guide the pieces into position and ensure a precise fit.



1. WALL ELEMENT ASSEMBLY

Step 2: Adding Panels C and D

Next, bring panel D into place above panel B. Align the dowels and slat, then slide and lower the panel until both upper panels (C and D) sit flush with the lower structure.

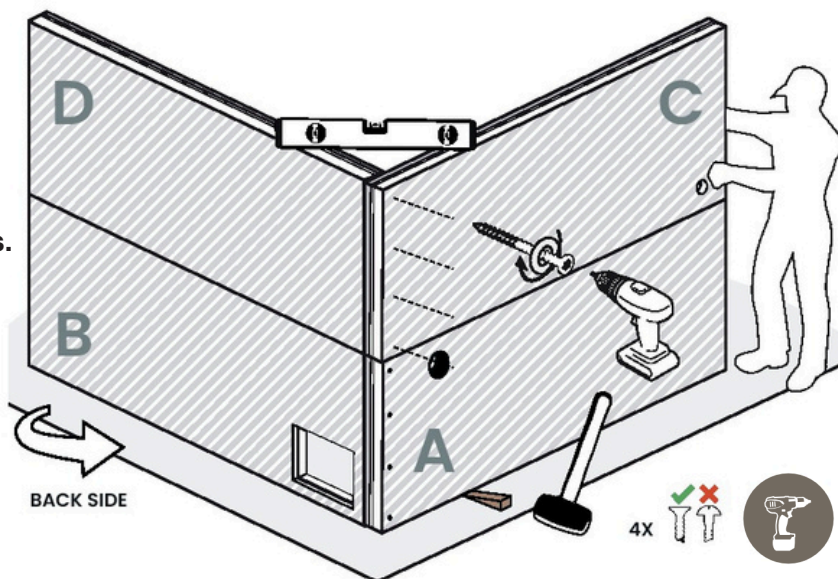


Back Side of the Panel Connection

Move to the back side of the sauna wall construction. Before screwing, check that both upper and lower panels are level and perfectly aligned at the joint—use a spirit level to verify.

Fasten the panels together using the pre-drilled holes and 4 × 5.0×120 mm screws. Insert each screw straight and tighten gradually to ensure strong and even pressure across the connection. Use only the correct flat-head screws as shown.

If the panels shift slightly during fastening, gently tap them back into alignment using a rubber mallet and a wooden block.



Once all screws are tightened, the complete wall corner (A–C and B–D) is structurally secured and ready for the next assembly steps.



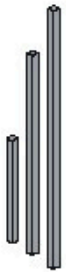
2. BENCHES AND BACKREST ASSEMBLY

Bench Parts

This illustration shows how all bench and backrest components will be positioned inside the sauna once installed. It serves as a visual guide before you begin the detailed step-by-step assembly on the following page.

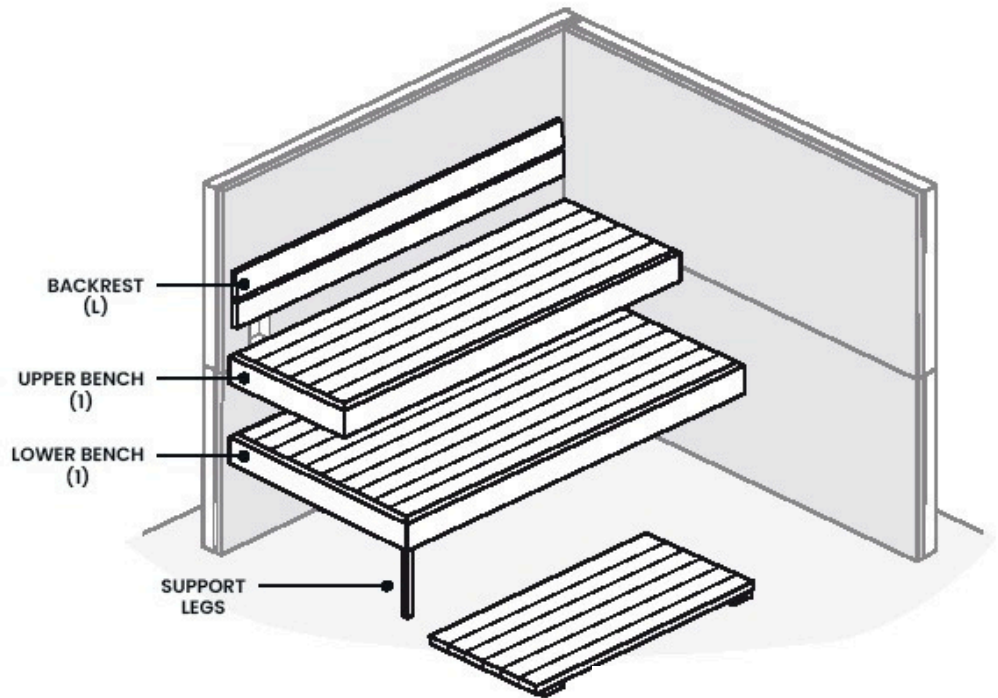


This step requires at least two people for safe, accurate installation. One person should hold the bench in position while the second fastens the screws using a screwdriver or drill. This prevents misalignment, reduces strain on the joints, and helps avoid damage.



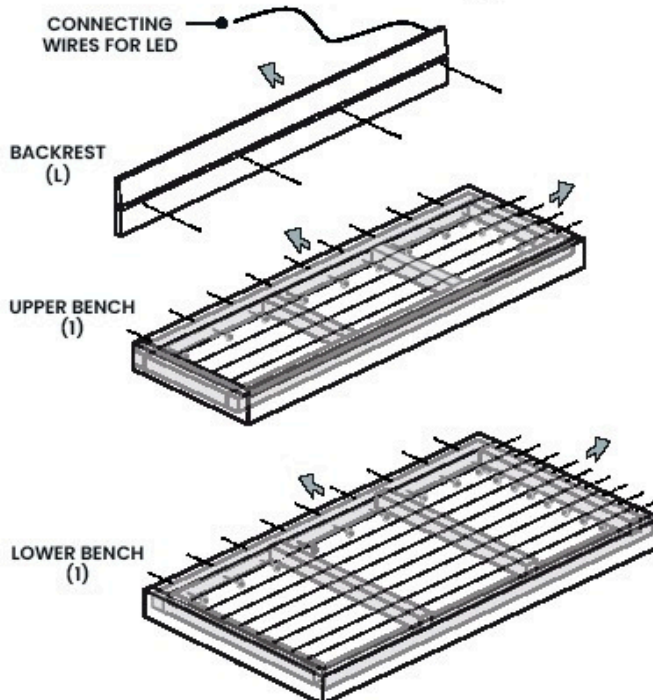
SUPPORT LEGS ASSEMBLY FOR LOWER, UPPER AND BACKRESTS

SEE MEASUREMENTS IF NOT INCLUDED



Each bench panel has a reinforced wooden frame that attaches to the sauna walls or benches using the pre-installed mounting screws.

➔ MOUNTED TO WALL





2. BENCHES AND BACKREST ASSEMBLY

Step 1: Installing the Backrests and Control Panel

Installing Backrest (L)

Position the vertical support legs on the left and right walls, at the height shown in the drawing. These legs are only for assembly support and will be removed later.

Route the LED wire through the opening in the wall and into the channel on the back of the backrest. Make sure they are straight and level—their upper edge will define the height of the backrests and benches.

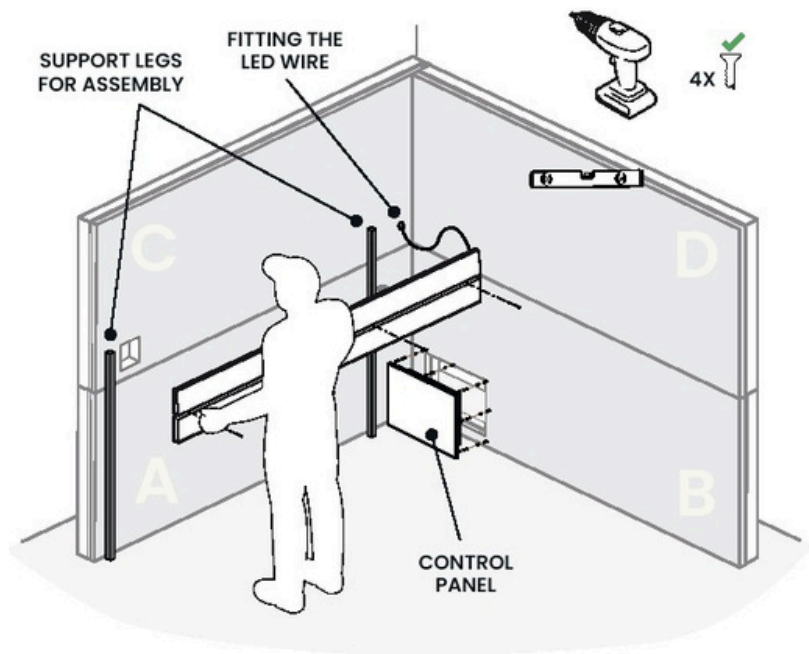
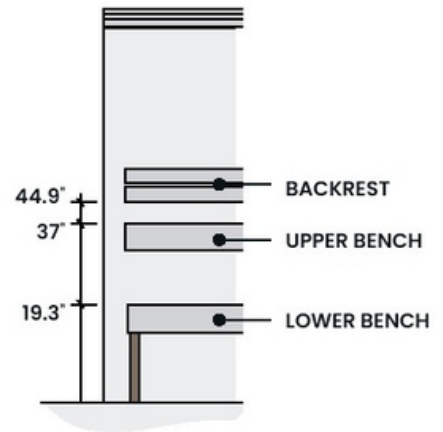
Align the pre-drilled holes in the backrest with the holes in the wall. Fasten the backrest using 4 screws as shown. Do not over tighten, but make sure the backrest is firmly fixed and level.

The control panel box can now be mounted onto Wall B, in the designated area shown in the illustration. This panel houses the sauna controller and electrical connections, so make sure it is positioned correctly and securely.

Align the control panel with the pre-marked screw positions on Wall B. Hold the panel in place and fasten it using the screws indicated. Ensure the panel sits flush against the wall and that the cable opening aligns properly so the wiring can be routed safely during final electrical installation.



Mounting heights measured from finished floor.





2. BENCHES AND BACKREST ASSEMBLY

Step 2: Installing the Benches

Installing Upper Bench (1)

Slide the benches into the corners so that their rear edges touch the wall and their frames align with the pre-drilled screw holes.

Place the upper bench frames onto the support legs, so the height is right and letting the legs carry the weight while you position the benches.

Securing Benches and Removing Supporting Legs for Assembly.

Screw the upper bench (1) to the back (A,D) and side walls (B,C) through the pre-drilled holes, as indicated in the drawing.

Check that both benches are leveled and firmly connected in the corner. Once the backrests and upper benches are fully screwed and secure, remove the temporary support legs—they are no longer needed.

Installing Lower Bench (2)

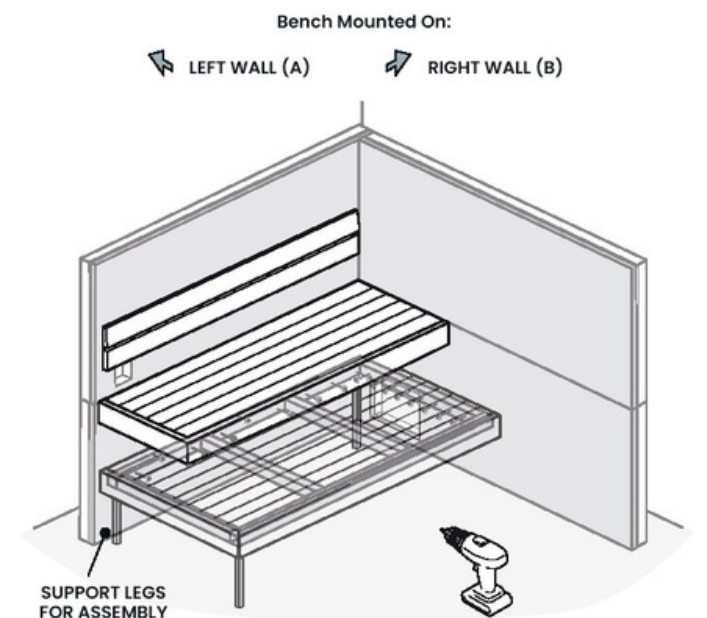
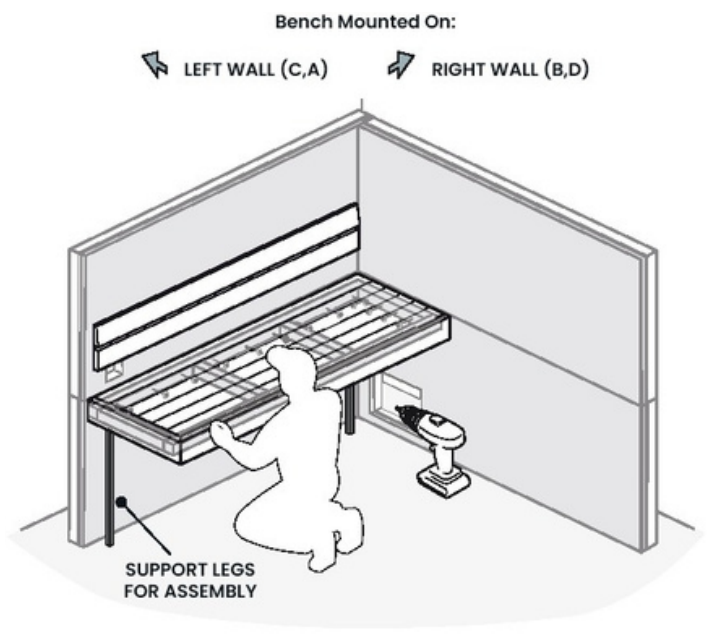
Place the lower bench (2) into position, resting it temporarily on the support legs used for assembly—this holds the bench at the correct height while you align it.

Slide the bench into the corner so the frame touches the walls and the pre-drilled screw holes match the mounting locations.

Secure the bench to the walls (A,B) using the pre-installed screws as indicated in the illustration. Once tightened, remove the temporary support peg underneath. Replace it with the final structural supporting leg, which becomes the permanent load-bearing support.



This step requires at least two people for safe and accurate installation. One person should hold and support the bench in its correct position. The second person should fasten the screws using a screwdriver or drill. This prevents misalignment, reduces strain on the wooden joints, and avoids accidental damage.





3. CEILING INSTALLATION

Step 1: Ceiling Panels

Installing the Ceiling Panels

Before placing the ceiling, cover the upper benches with a protective blanket or soft carpet to prevent scratches or impact marks.

Two-person handling required for safety and precision. One person lifts and guides the ceiling panel from the outside. The second person supports and positions it from inside.

Carefully lift the ceiling panel from outside the sauna, tilt it diagonally as shown, and slide it gently into the interior space. Once inside, rotate it horizontally and lower it into its final position inside of the blend frame.



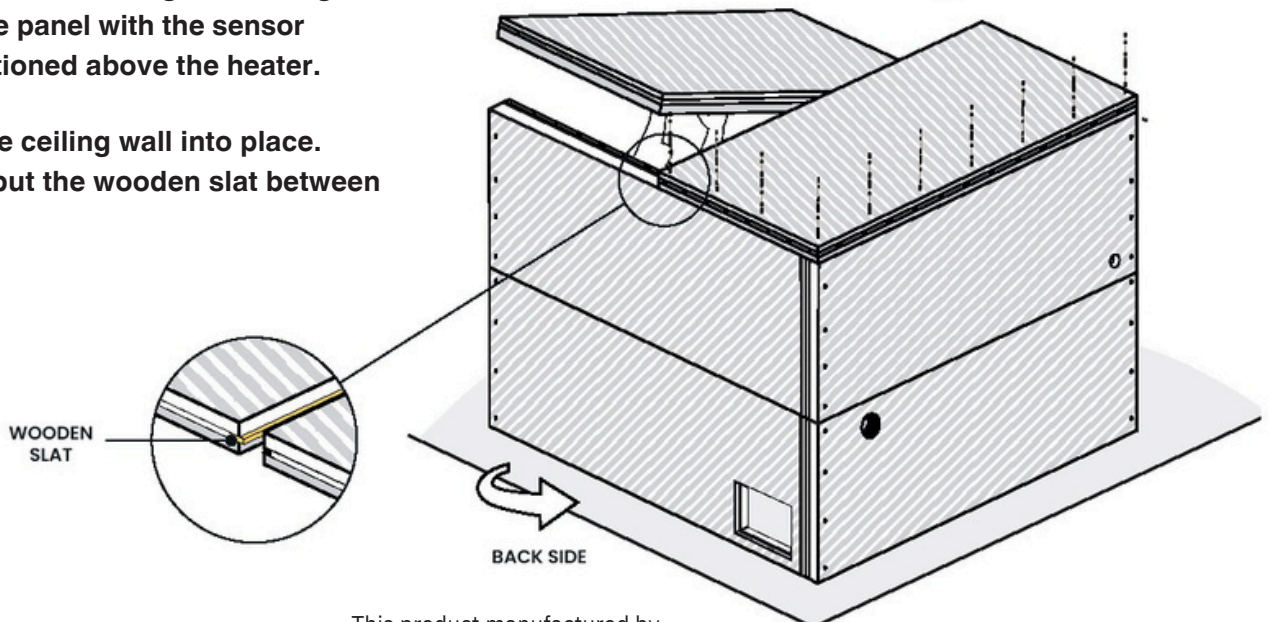
After guiding the ceiling panel into the sauna interior, carefully tilt it into a horizontal position as shown. Gently slide the panel forward until it is aligned with the blend frame. Slide it toward the wall so that its edges sit correctly on the support rails of the side walls.

Make sure the panel settles evenly along the full perimeter without forcing or bending it. Confirm that the panel with the sensor opening is positioned above the heater.

Slide the outside ceiling wall into place. Make sure you put the wooden slat between ceiling panels.



The ceiling with the opening for the sensor is above the heater!





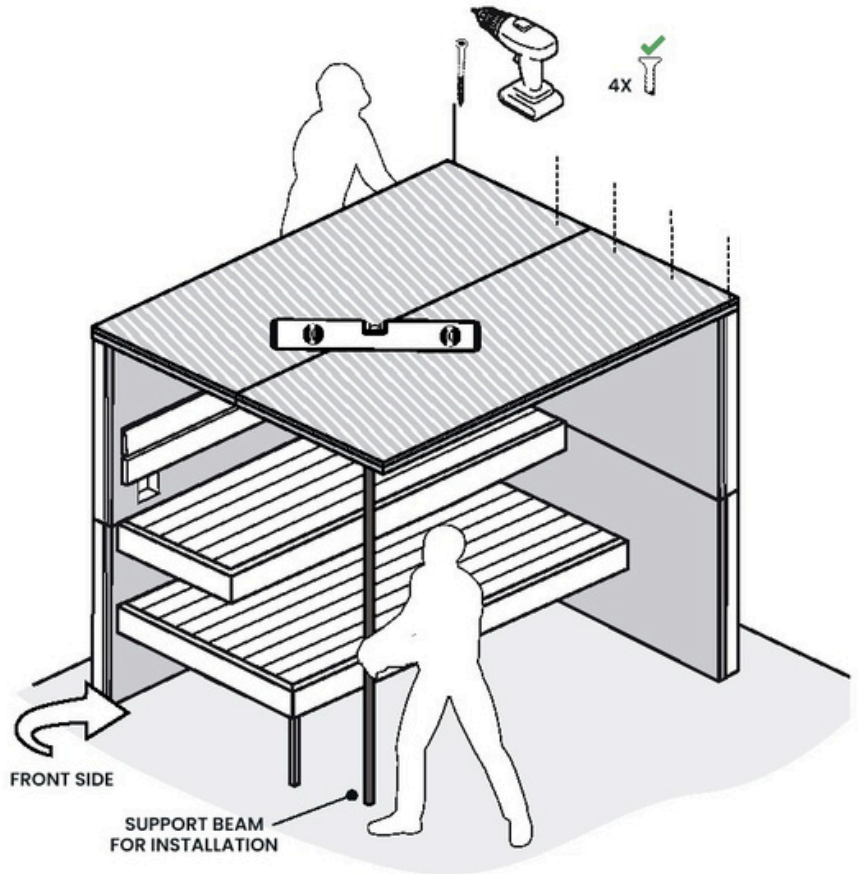
3. CEILING INSTALLATION

Step 2: Secure Ceiling Panels

Screw Down the Ceiling Panels
Once lifted onto the supports, slide both ceiling panels into place. A ladder is required to safely reach and position the ceiling panel.

Use a temporary support beam as shown to hold the ceiling steady while fastening.

With the ceiling supported, secure both panels using the screws indicated in the diagram. Tighten all screws evenly so the panels sit flat and stable on the frame.

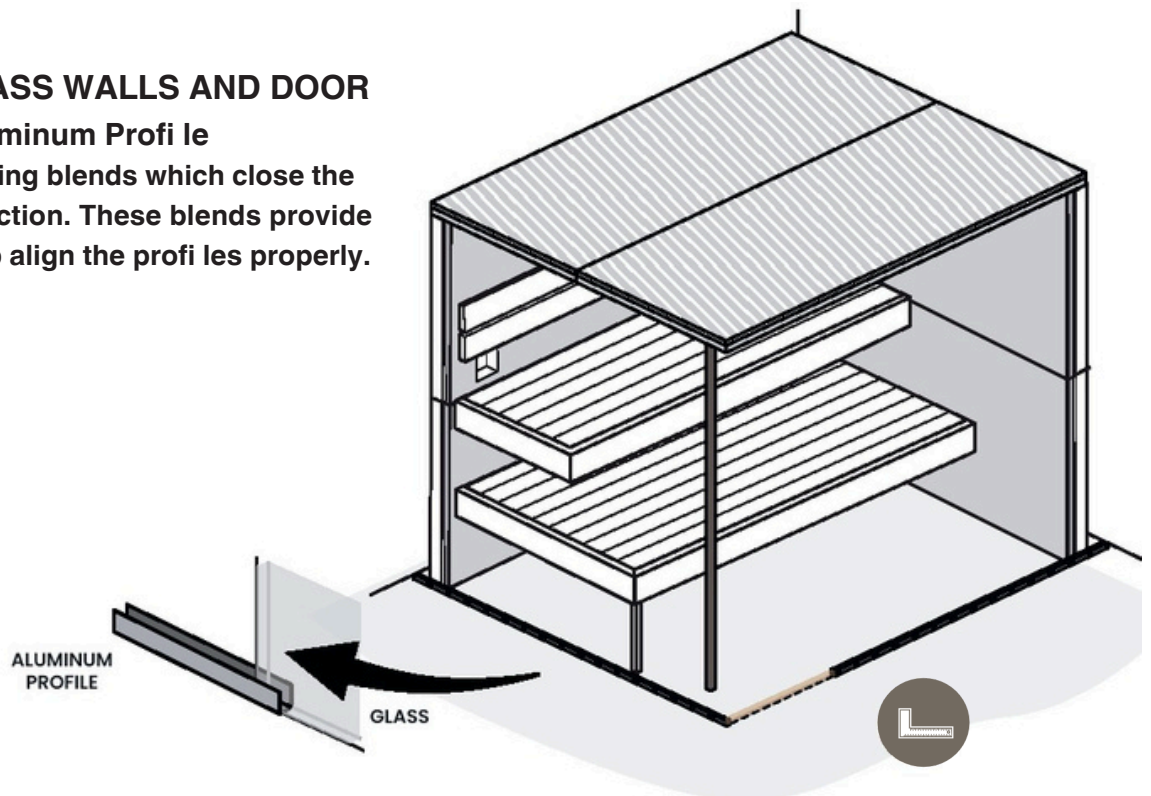


The ceiling panel with the sensor opening must be installed above the heater.

4. INSTALLING GLASS WALLS AND DOOR

Step 1: Installing Aluminum Profile

You can use the finishing blends which close the gap above the door section. These blends provide a clean finish and help align the profiles properly.





4. INSTALLING GLASS WALLS AND DOOR

Step 2: Installing Main Glass

Place the Glass Panel

Start by tilting the glass panel forward, as shown on the left diagram. The bottom edge of the glass must slide first into the lower aluminum profile. Keep the movement slow and controlled—glass edges are extremely sensitive to impact.

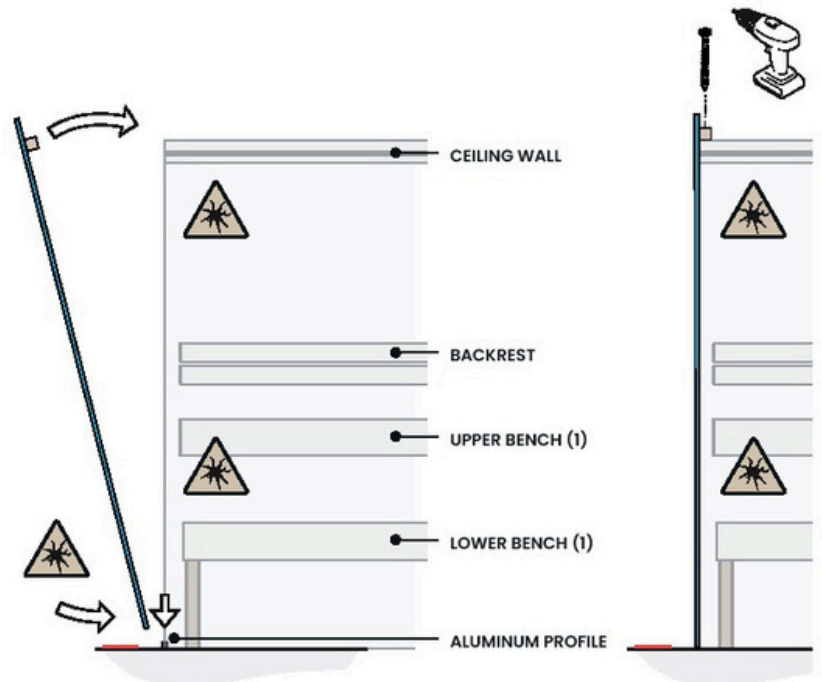
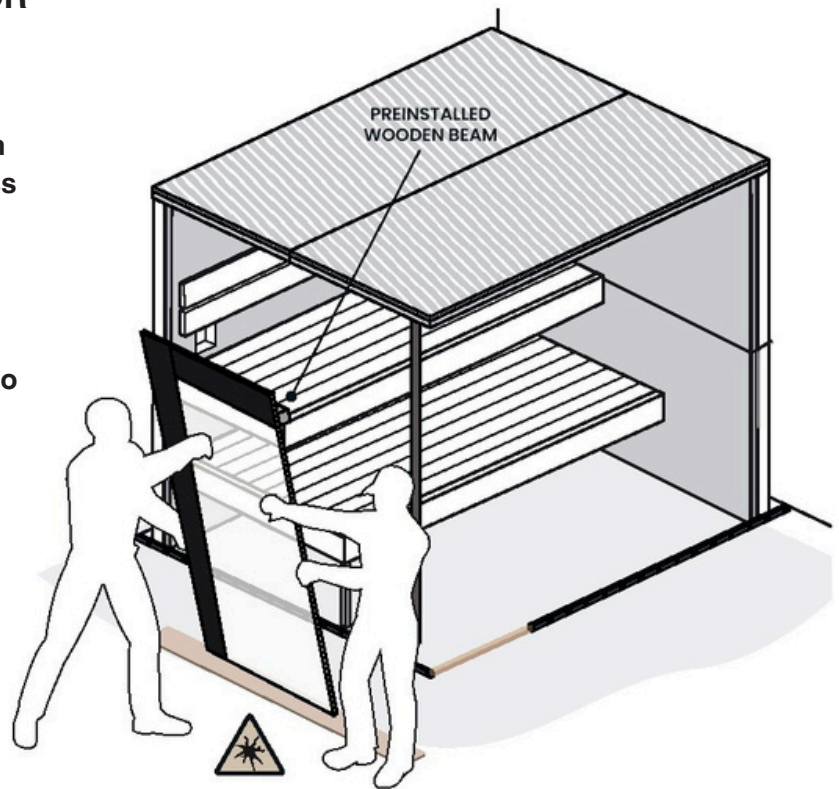
Use wooden wedges under the glass if needed to prevent direct contact with the floor and to help guide the bottom edge straight into the profile.

Secure the Glass Panel

Once the lower edge is correctly seated inside the aluminum profile, gradually rotate the glass upright until it reaches a vertical position. Make sure the top of the glass aligns with the ceiling wall (ceiling blend). Avoid pushing or forcing the glass sideways, as this can cause edge pressure and breakage.

When the glass is perfectly upright and aligned, you can fasten the top bracket (depending on your sauna model). Only tighten screws once the glass sits evenly and without tension.

Always handle the glass with extreme caution—small impacts or uneven pressure can cause breakage. Two people are required for this step.





4. INSTALLING GLASS WALLS AND DOOR

Step 3: Installing Side Glass

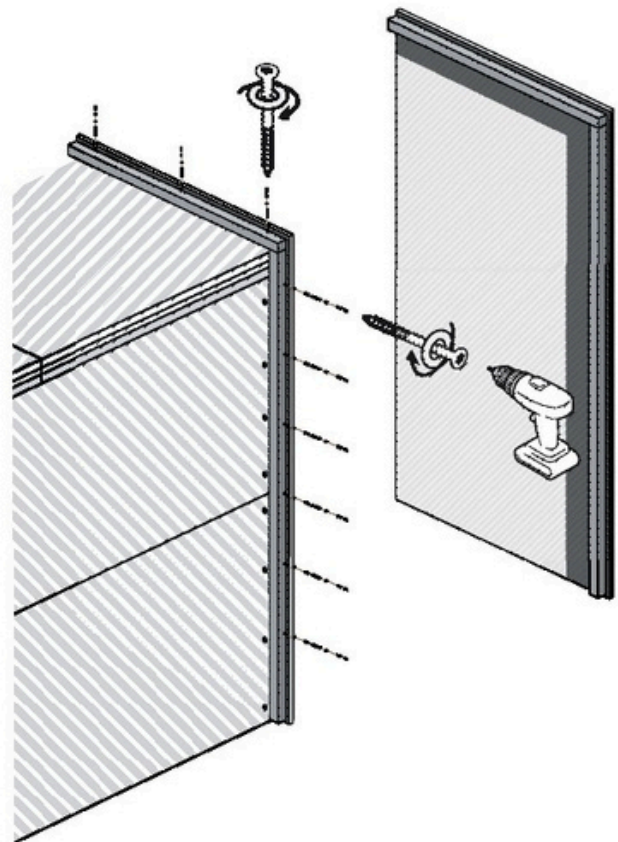
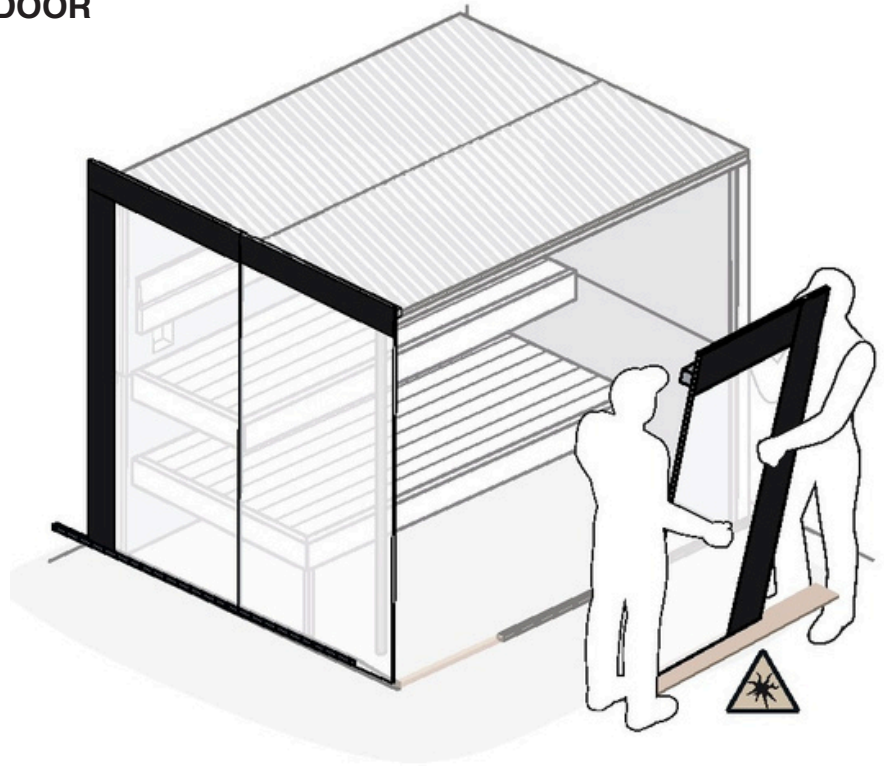
Place the Side Glass Panel

This side glass arrives with pre-glued wooden beams attached along its vertical edges. These beams allow the glass to be safely fastened to the sauna walls without drilling directly into the glass.

Using the same procedure as with glass (1) and (2), tilt the window panel slightly forward and insert the lower edge into the bottom aluminum profile. Move slowly and avoid pressing the glass sideways—the edges are sensitive and must be handled with caution.

Slide the panel fully into the profile and check that both vertical edges are straight and parallel with the sidewalls. If needed, adjust the height using the wooden wedges before finalizing the alignment.

Always proceed with care: tempered glass can break if hit on the corner or if the weight is not properly supported during installation.





4. INSTALLING GLASS WALLS AND DOOR

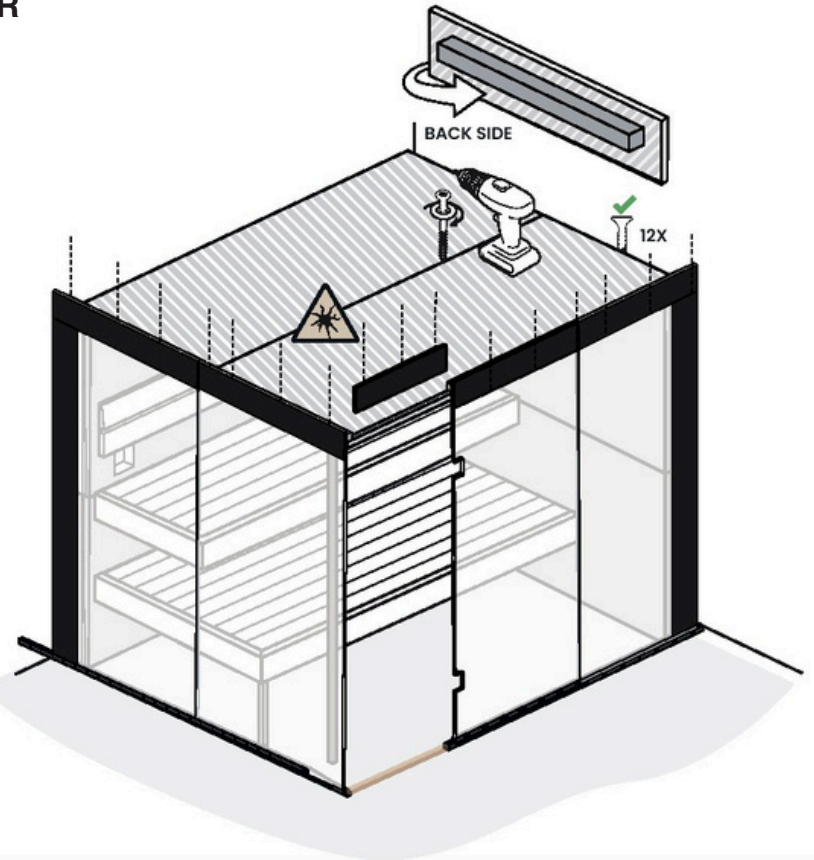
Step 4: Installing Upper Glass

Place the Upper Glass Panels

The upper glass panel is placed above the door and completes the front glass wall of the sauna. Handle the glass with great care and always work with two people.

Start by identifying the back side of the upper aluminum profile, as shown in the detail illustration. This profile will hold the upper glass securely in place.

Lift the glass panel into position and gently slide it into the upper profile from the inside. Ensure the glass is centered and that there is an even gap on both sides between the edges of the glass and the vertical wall panels. These gaps are necessary to keep the glass stress-free and prevent breakage during temperature changes.



Secure Upper Glass Panels

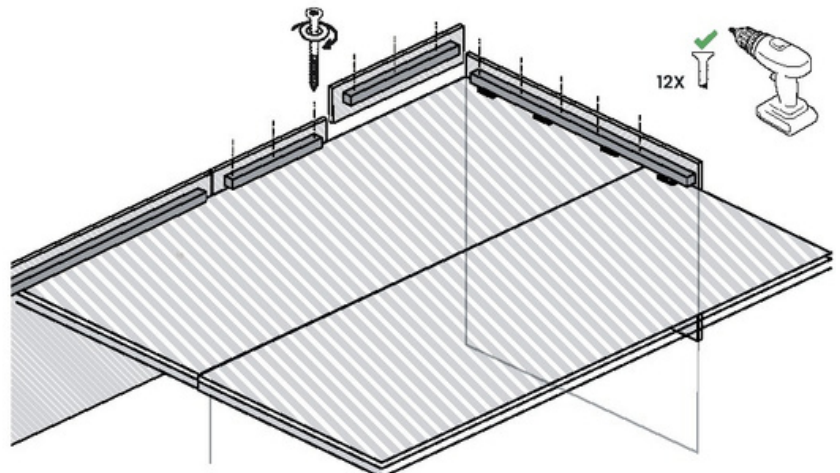
The wooden support beams shown in the illustration are factory-glued to the upper glass panel. After positioning the glass above the door opening, align the beams with the ceiling frame from the back side of the sauna.

Use the supplied 5.0x80 mm screws (12x) to fasten the glued beams securely to the ceiling structure. This fixes the upper glass in its final position and ensures the entire front glass assembly remains stable.

If needed, insert distance plates between the beam and the ceiling/wall before tightening the screws. These plates allow you to fine-tune the alignment, level the glass, and create the required micro gaps so the glass fits stress-free within the sauna structure.



Make sure all glass are even and there is even gap between windows and door.



Make sure the beams sit evenly along the ceiling edge and that the glass remains perfectly aligned before fully

This product manufactured by
THERMASOL
fully



4. INSTALLING GLASS WALLS AND DOOR

Step 5: Installing Door

Installing the Door Hinges

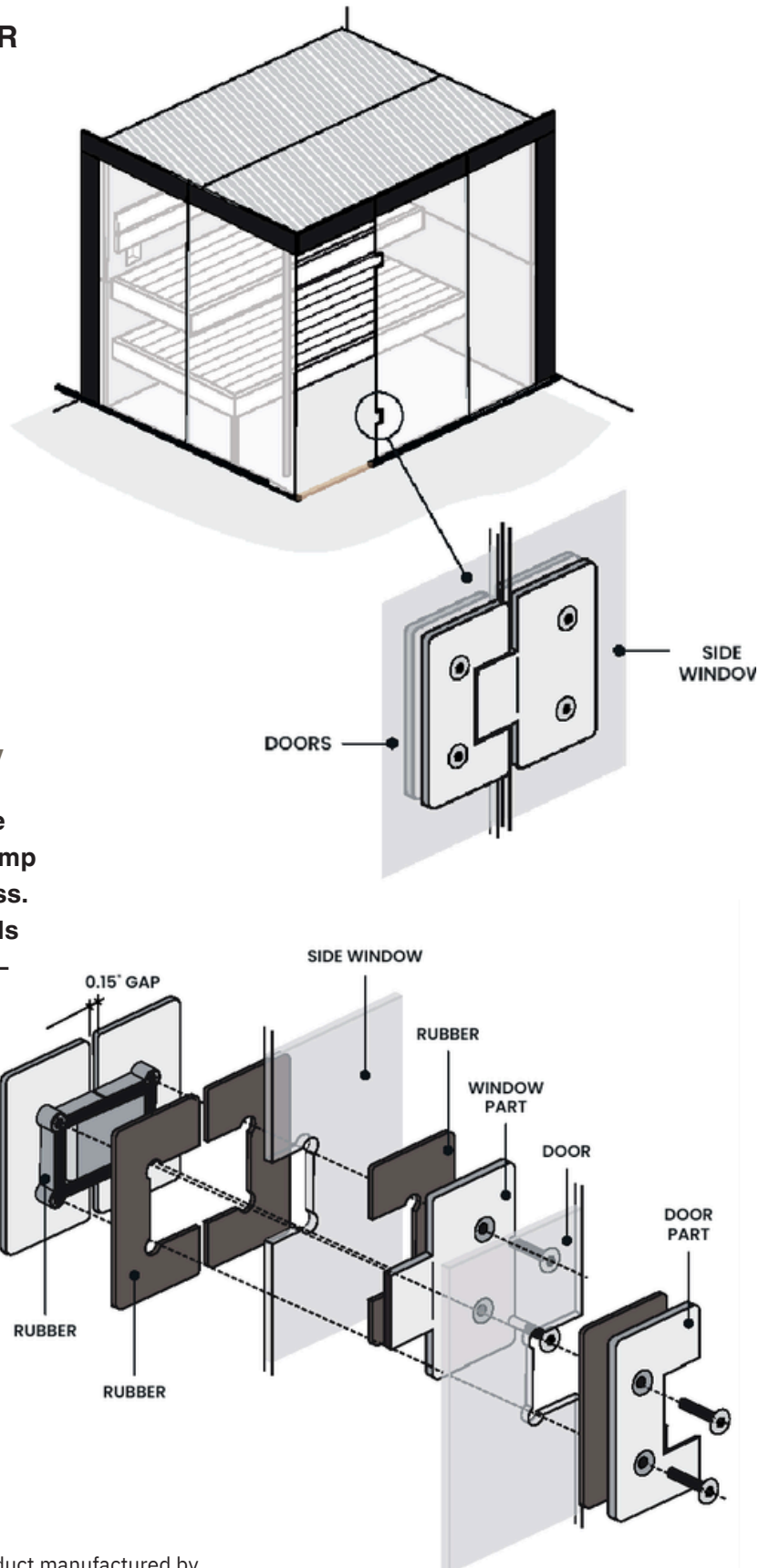
Begin by attaching the hinge to the fixed window glass before adding the door panel. The hinge has two sides: a window part and a door part, connected by the rotating center section.

The rotating (moving) part of the hinge must be oriented toward the door side, this is the part that allows the door to swing open.

Mount the Hinge on the Window Glass First
Place the rubber pads on both sides of the window glass. These pads are essential:

- They protect the glass from pressure
- They prevent slipping
- They distribute the clamping force evenly

Position the window part of the hinge against the rubber pads on one side, and place the inner clamp plate with rubber on the opposite side of the glass. Tighten the screws gradually until the hinge holds firmly on the window glass. Do not over tighten—the hinge should be secure, but the glass must not bend or show pressure marks.





4. INSTALLING GLASS WALLS AND DOOR

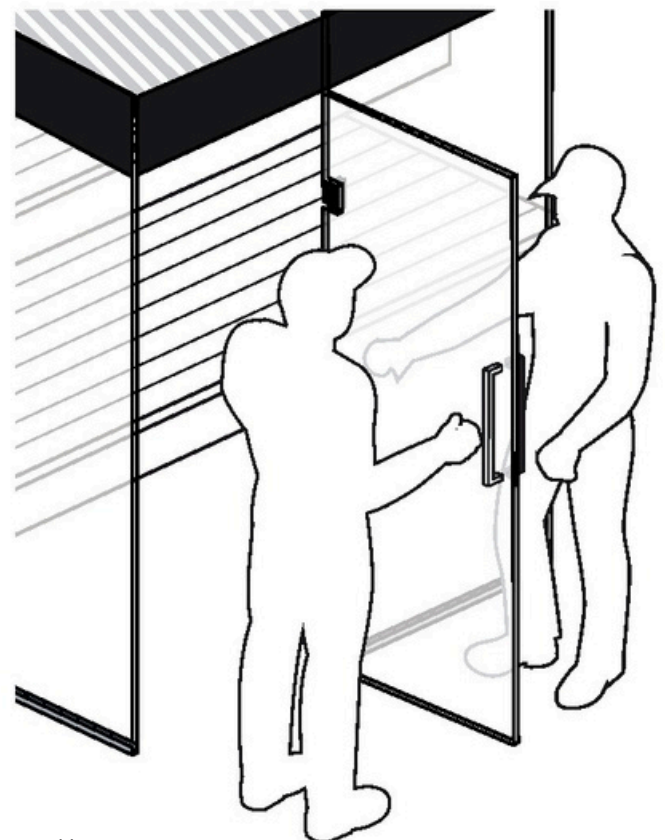
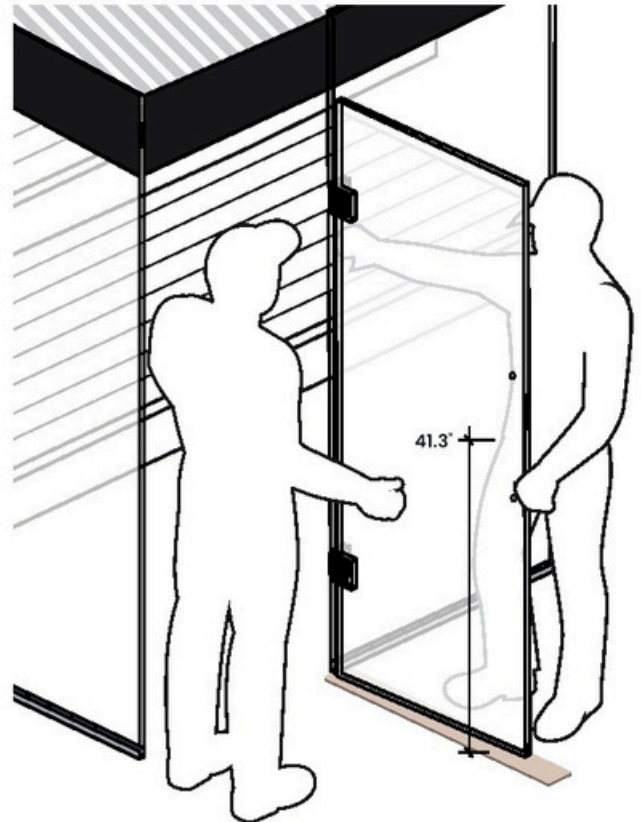
Step 5: Installing Door

To mount the door safely, lift it together with a second person and guide the hinges toward the hinge positions already installed on the fixed window glass. Keep the door slightly tilted and supported from below to avoid putting stress on the glass. One person should hold the door steady in its vertical position while the other aligns the hinge plates and tightens the screws gradually.

Make sure the hinge rotates freely and the door swings without touching the floor or frame. Adjust the position slightly before fully tightening to ensure the door closes smoothly and sits correctly in the opening.

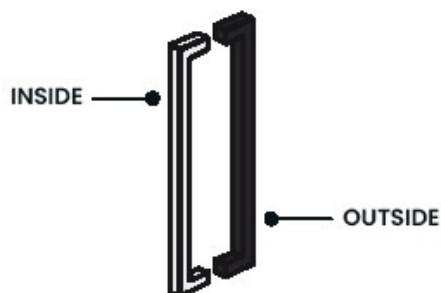


Distance from the floor to the center handle hole is 41.3". This is the correct vertical orientation of the glass door.



At the end of the assembly, attach the door handles to the glass door. The inside handle mounts on the interior side of the glass, while the outside handle attaches on the exterior side, using the same bolt passing through both pieces.

Insert the bolts through the holes in the glass, position both handles, and tighten them evenly. Make sure the handles sit straight and feel firm, but avoid over-tightening to protect the glass.





5. INSTALLING HEATER AND CONNECTING ACCESSORIES

Important Electrical Safety Notice

All electrical work in the sauna—including the heater, LED lighting, controller, and power supply wiring—must only be conducted by a licensed electrician. Saunas operate in high humidity and high temperature environments, which require the correct cable types, proper grounding and secure connections to ensure safe operation.

For all wiring tasks, please refer to the Rate Outdoor wiring schematics and installation instructions provided with the heater and control unit. These documents contain essential information such as wire specifications, fuse requirements, sensor placement, and connection diagrams.

Incorrect installation can damage equipment or create safety risks. Always ensure the wiring is performed by a licensed electrician.

A vent diameter of 4.3", must be connected to a ventilation duct leading outside of the wall cavity. This connection is essential to safely remove warm, moist air from the sauna structure.

If moist air is not directed out of the wall space, condensation can accumulate inside the construction, which may lead to moisture damage, reduced insulation performance, or long-term material degradation. Use a suitable ventilation duct or pipe of the same diameter. Ensure the duct leads directly outside or into a dedicated ventilation system designed to remove moisture.

PRODUCT WARRANTY

Every Rate Outdoor sauna is backed by part of the limited warranty. Help ensure a long service life, safety, and optimal performance.

