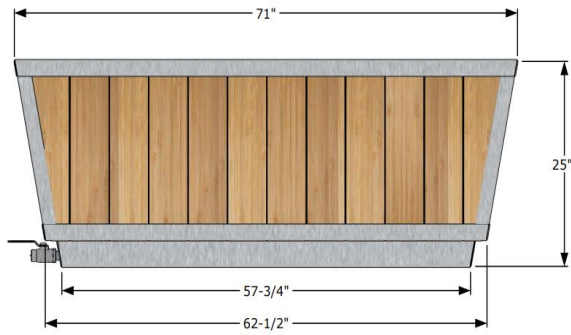


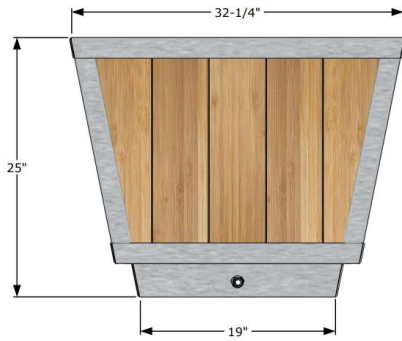
# Trillium Plunge

Front View

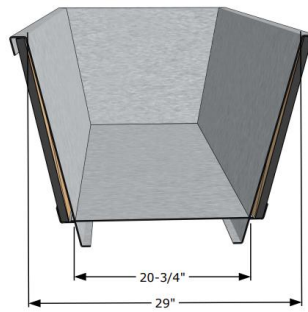


Line Material	HDPE Plastic OR Stainless Steel
Base & Floor	3/4" thick HDPE Plastic OR 11ga 304 Stainless
Upright liner walls	1/4" thick HDPE Plastic OR 11ga 304 Stainless
Wood Skirting on outside	1-3/8" thick cedar
Opening size for chiller and drain	3/4" NPT

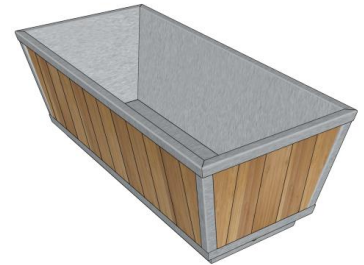
Side View



Cross Section View



Perspective View



This product manufactured by